



DESCRIPTION

The S2TAF is a bimetal temperature switch featuring an internal sensing cavity that allows for sensing of the fluid temperature without the need of a probe. It is most suitable for where areas is a tight constraint. The S3TAF temperature switch is ideal for high amperage rating with high ingress protection.

FEATURES

- Factory preset
- High current rating
- Reliable differential
- Compact size

APPLICATIONS

- Hydraulic reservoir safety switch
- Coolant temperature switch

Specifications

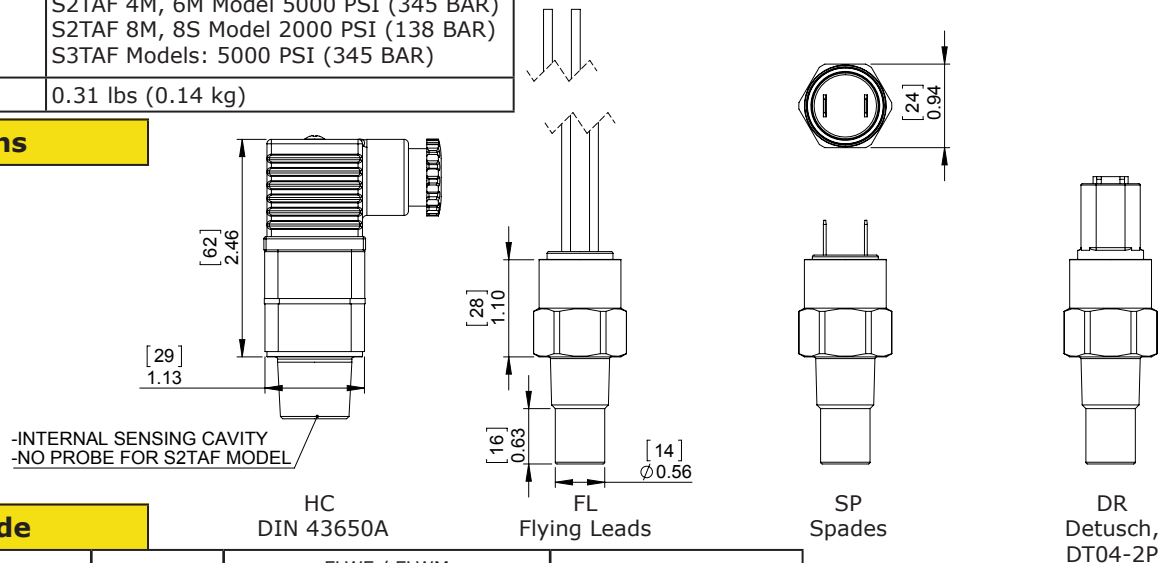
Electrical	120 VAC - 15A Resistive 240 VAC - 10A Resistive 12VDC - 12A Resistive 24 VDC - 6A Resistive
Switch Type	Bimetal
Protection	DIN 43650A - IP65, Terminals - IP00 Flying Lead: IP67 Detusch DT04-2P: IP67
Repeatability	+/- 7°F
Temperature Range	77°F to 293°F (25 °C to 145°C)
Temperature Differential	25°F (12°C)
Temperature Exposure Limit	300°F (149°C)
Housing Material	Brass (Optional Stainless Steel)
Maximum Overpressure	S2TAF 4M, 6M Model 5000 PSI (345 BAR) S2TAF 8M, 8S Model 2000 PSI (138 BAR) S3TAF Models: 5000 PSI (345 BAR)
Weight	0.31 lbs (0.14 kg)

Temperature

Temperature Set point	
°F	°C
77 - 293	25 - 135

TEMPERATURE

Dimensions



Wiring Code

CONTACT	FLYING LEADS	DIN 43650 TYPE	FLWF / FLWM FLCM / FLCF / FLPM / FLPF	FLDR / FLDP
COMMON	BLACK	PIN 1	PIN A	PIN 1
NORMALLY CLOSED	BLACK	PIN 2	PIN B	PIN 2
NORMALLY OPEN	BLACK	PIN 2	PIN B	PIN 2

Ordering Information

Factory Preset

S2TAF or S3TAF - ¹140F - ²4M - ³B - ⁴HC

1 - Temperature Selection:

Insert set point value XXX followed by: R, F.

Set Point	Direction	Description
XXXX	R	°F Rising Temperature
	F	°F Falling Temperature

2 - Thread Options:

Thread Description	S2TAF Model	S3TAF Model
	No Probe	5/8" Probe
1/4 NPT	4M	4M10
3/8 NPT	6M	6M10
1/2 NPT	8M	8M10
3/4-16 SAE with Viton O-ring seal	8S	N/A

* Other Thread and Probe options are available upon request. Consult factory for availability

3 - Circuit:

- A** - SPST (Normally Open)
- B** - SPST (Normally Closed)

4 - Electrical Termination:

S2TAF	S3TAF	
HC	-	- DIN 43650A - connector type
HN	-	- DIN 43650A 1/2" NPT Conduit (only available in SPST option)
	FL	- Flying Lead 18" long, 18 AWG
	FLWF	- Flying Lead Weatherpack connector, female, Tower, 10" long leads
	FLWM	- Flying Lead Weatherpack connector, male, Shroud, 10" long leads
	FLDP	- Flying Lead Deutsch connector, plug, 10" long leads
	FLDR	- Flying Lead Deutsch connector, receptacle, 10" long leads
	FLCM	- Flying Lead Metripack, male, 150 series, 10" long leads
	FLCF	- Flying Lead Metripack, female, 150 series, 10" long leads
	FLPM	- Flying Lead Metripack, male, 280 series, 10" long leads
	FLPF	- Flying Lead Metripack, female, 280 series, 10" long leads
	SP	- 1/4" Spade
	DR	- Integrated Detusch Receptacle - Mates with DT06-2S



*Other material and options available upon request. Please consult factory for details.