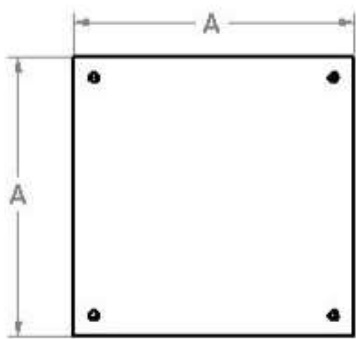


# Vertical Series Reservoirs

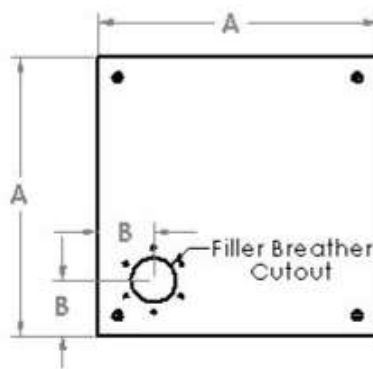


## RVS & Dual Vertical Series Reservoir Tops:



Blank Cover

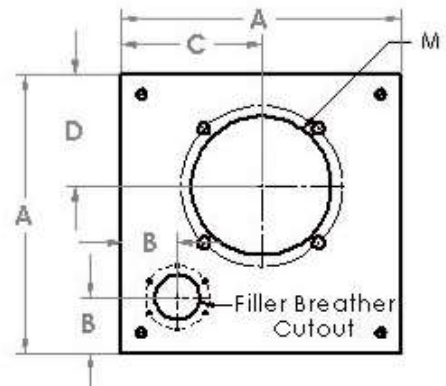
Part Number:  
RVS1-T-1  
RVS2-T-1  
RVS3-T-1



Cover w/ Filler Breather Cutout

Includes Filler Breather P/N FB-H008W

Part Number:  
RVS1-T-2  
RVS2-T-2  
RVS3-T-2



Cover w/ Filler Breather and Pump/Motor Mount Cutout

Includes Filler Breather P/N FB-H008W

Example Part Number:  
RVS1-T-3/A  
See chart below for additional part numbers

\* See Magnaloy's Pump/Motor Mounts, page 17 for more details

Vertical Reservoir Top	Fits Reservoir Series	Reservoir Top Dimensions (Inches)				Pump/Motor Cutout (Inches)		
		A	B	C	D	M Dia	M Hole Dia	M B.H.C.
RVS1-T-1	1	12.5	-	-	-	-	-	-
RVS1-T-2	1	12.5	2.5	-	-	-	-	-
RVS1-T-3/A	1	12.5	2.5	6.25	5	5.19	7/16	5.88
RVS1-T-4/B	1	12.5	2.5	6.25	5	5.00	7/16	5.88
RVS1-T-4/C	1	12.5	2.5	6.25	5	6.25	17/32	7.25
RVS2-T-1	2	16.5	-	-	-	-	-	-
RVS2-T-2	2	16.5	2.5	-	-	-	-	-
RVS2-T-3/A	2	16.5	2.5	8.25	5.5	5.19	7/16	5.88
RVS2-T-3/B	2	16.5	2.5	8.25	5.5	5.00	7/16	5.88
RVS2-T-4/C	2	16.5	2.5	8.25	6.25	6.25	17/32	7.25
RVS2-T-4/D	2	16.5	2.5	8.25	6.25	9.13	17/32	10.25
RVS3-T-1	3	18	-	-	-	-	-	-
RVS3-T-2	3	18	2.5	-	-	-	-	-
RVS3-T-3/A	3	18	2.5	9	5.5	5.19	7/16	5.88
RVS3-T-3/B	3	18	2.5	9	5.5	5.00	7/16	5.88
RVS3-T-4/C	3	18	2.5	9	6.25	6.25	17/32	7.25
RVS3-T-4/D	3	18	2.5	9	6.25	9.13	17/32	10.25

NOTE: Due to Magnaloy's policy of continuous improvement, specifications are subject to change without notice.