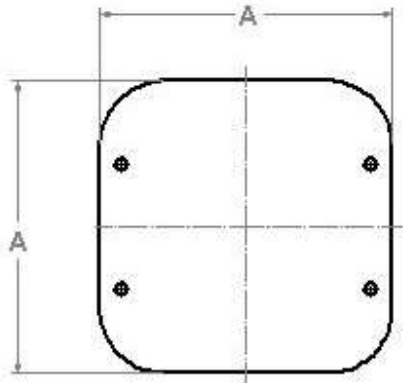


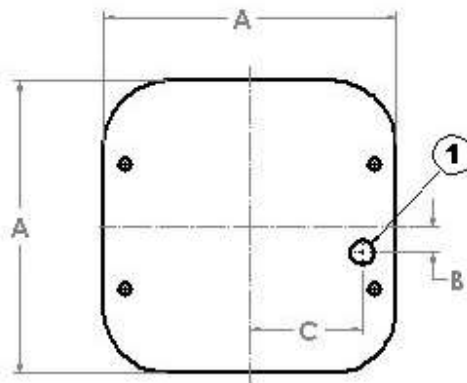
## RVPT-1, RVPT-2, RVPT-3 and RVPT-4 Cover Plates:

Magnaloy offer 4 choices of Cover Plates for the Econo Series of Reservoirs to meet your specific requirements. Each Cover Plate will fit any of the Econo Reservoirs. All Cover Plates are formed from 7 gauge sheet metal.



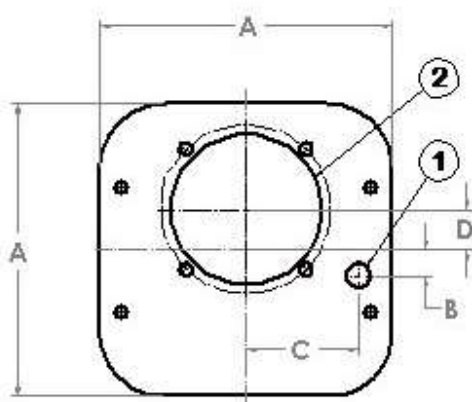
**RVPT-1 Cover Plate**

Blank Cover



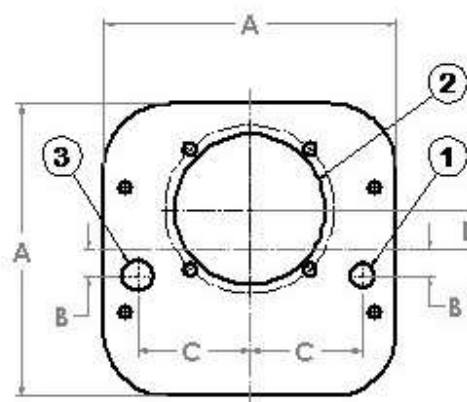
**RVPT-2 Cover Plate**

Includes: 1 - Filler Breather Cutout(1/2" NPT)  
2 - Mini Filler Breather FB-C-MB-P008



**RVPT-3 Cover Plate**

Includes: 1 - Filler Breather Cutout(1/2" NPT)  
2 - 056C Mount Cutout  
3 - Mini Filler Breather FB-C-MB-P008



**RVPT-4 Cover Plate**

Includes: 1 - Filler Breather Cutout(1/2" NPT)  
2 - 056C Mount Cutout  
3 - 1/2" NPT Connector  
4 - Mini Filler Breather FB-C-MB-P008

4

Part Number	A	B	C	D
RVPT-1	10.11	N/A	N/A	N/A
RVPT-2	10.11	.88	3.88	N/A
RVPT-3	10.11	.88	3.88	1.41
RVPT-4	10.11	.88	3.88	1.41

**NOTE:** Reservoirs and Cover Plates are ordered separately. Order by the specific part number for the Reservoir and Cover Plate.

**NOTE:** Due to Magnaloy's policy of continuous improvement, specifications are subject to change without notice.