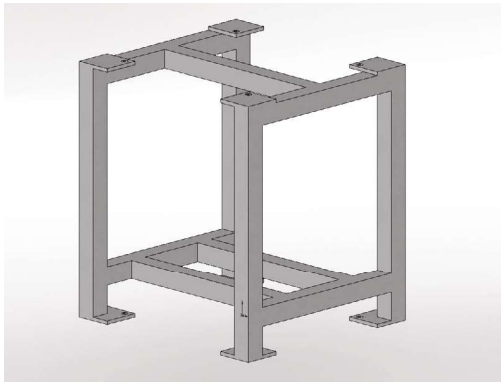


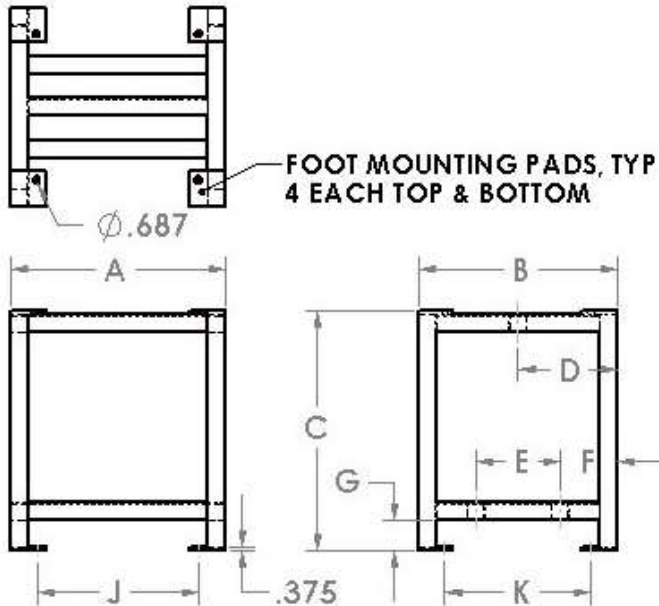
Stacking Modules for RJIC Series Reservoirs



Fits Magnaloy RJIC Series Reservoirs and Drip Pans:



Size	Material	Foot Pads
10	2 x 2 x 11 ga	4 x 4 x 3/8
15	2 x 2 x 11 ga	4 x 4 x 3/8
20	2 x 2 x 11 ga	4 x 4 x 3/8
30	2 x 2 x 11 ga	4 x 4 x 3/8
40	2 x 2 x 11 ga	4 x 4 x 3/8
50	2 x 2 x 11 ga	4 x 4 x 3/8
60	2 x 2 x 11 ga	4 x 4 x 3/8
80	2 x 2 x 11 ga	4 x 4 x 3/8
100	2 x 2 x 11 ga	4 x 4 x 3/8
120	3 x 3 x 7 ga	5 x 5 x 3/8
150	3 x 3 x 7 ga	5 x 5 x 3/8
200	3 x 3 x 7 ga	5 x 5 x 3/8



Includes:

- (4) Foot Mounting Pads, Top and Bottom that aligns with RJIC Series Reservoir Mounting Holes and RJDPx Drip Pan Mounting Pads
- Primer Coated Exterior
- All Edges Deburred
- Designed to fit Magnaloy RJDPx Drip Pan (pg 138) and RJIC Reservoir (pg 124) (see image, top of page 138)

Part Number	Fits Reservoir	Drip Pan Dimensions (Inches)					Reservoir Dimensions (Inches)			
		A	B	C	D	E	F	G	J	K
RJSM010	RJIC010-	24.25	22.5	26.25	9.5	6*	6.5	3	18.25	16.5
RJSM015	RJIC015-	26.25	22.25	26.25	9.5	6*	6.5	3	22.25	16.5
RJSM020	RJIC020-	32.25	22.5	26.25	9.5	6*	6.5	3	26.25	16.5
RJSM030	RJIC030- thru 050-	38.25	28.5	26.25	12.5	6*	9.5	3	32.25	22.5
RJSM060	RIC0J60-	50.25	31.5	32.5	14	9*	9.5	3	44.25	25.5
RJSM080	RJIC080-	62.25	31.5	31.5	14	9*	9.5	3	56.25	25.5
RJSM100	RJIC100-	62.25	31.5	36.75	14	9*	9.5	3	56.25	25.5
RJSM120	RJIC120- thru 150-	64.25	36.5	36.75	15.5	9*	11	3	56.25	28.5
RJSM200	RJIC200-	76.25	42.5	36.75	18.5	9*	14	3	68.25	34.5

* This dimension can be changed at no additional charge to accommodate your pump/motor combination, consult factory.

NOTE: Due to Magnaloy's policy of continuous improvement, specifications are subject to change without notice.