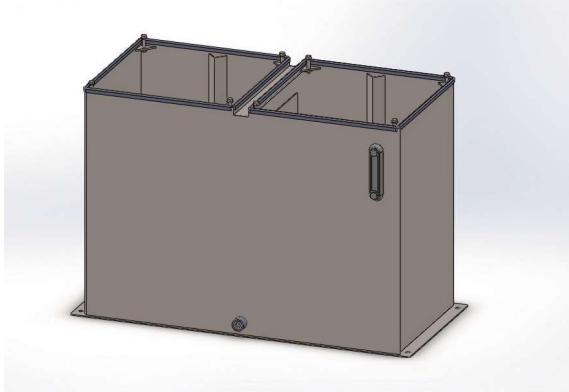
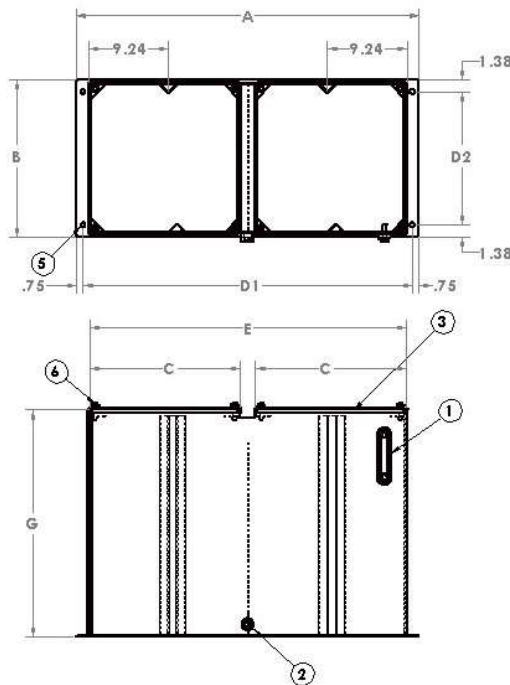


## Dual Vertical Reservoirs:



Size	Body Form	Bottom Form
<b>Series 2</b>		
40 gal	11 ga	11 ga
60 gal	11 ga	11 ga
<b>Series 3</b>		
50 gal	11 ga	11 ga
60 gal	11 ga	11 ga



### Includes:

- 1 - Sight Level Gauge (front mount) (SLLG-05T-C)
  - 2 - 3/4 NPT Drain
  - 3 - "U" Gaskets for Cover Plates
  - 4 - Baffle with Cutouts for Circulation
  - 5 - 9/16 Dia. Holes (4) on Bottom Flange for Tank Mounting
  - 6 - 3/8-16 Bolts (8) for Cover Tie Down
- Choice of Tops - ordered separately (2 tops required per reservoir)(not shown), see page 123
- Prime Coated Exterior  
Rust Inhibitor Coated Interior

4

### Dual Vertical Reservoirs- Series 2 (order Series 2 Tops)

PART NO.	SIZE.	A	B	C	D1	D2	E	F	G
RDVS40-2	40 Gallon	36	16.5	16	35.25	14	33	18	24
RDVS60-2	60 Gallon	36	16.5	16	35.25	14	33	24	36

### Dual Vertical Reservoirs- Series 3 (order Series 3 Tops)

PART NO.	SIZE	A	B	C	D1	D2	E	F	G
RDVS50-3	50 Gallon	39	18	17.5	38.25	15.5	36	19	22.5
RDVS60-3	60 Gallon	39	18	17.5	38.25	15.5	36	22.5	26.5