

Service Data

Vickers®

Piston Pumps



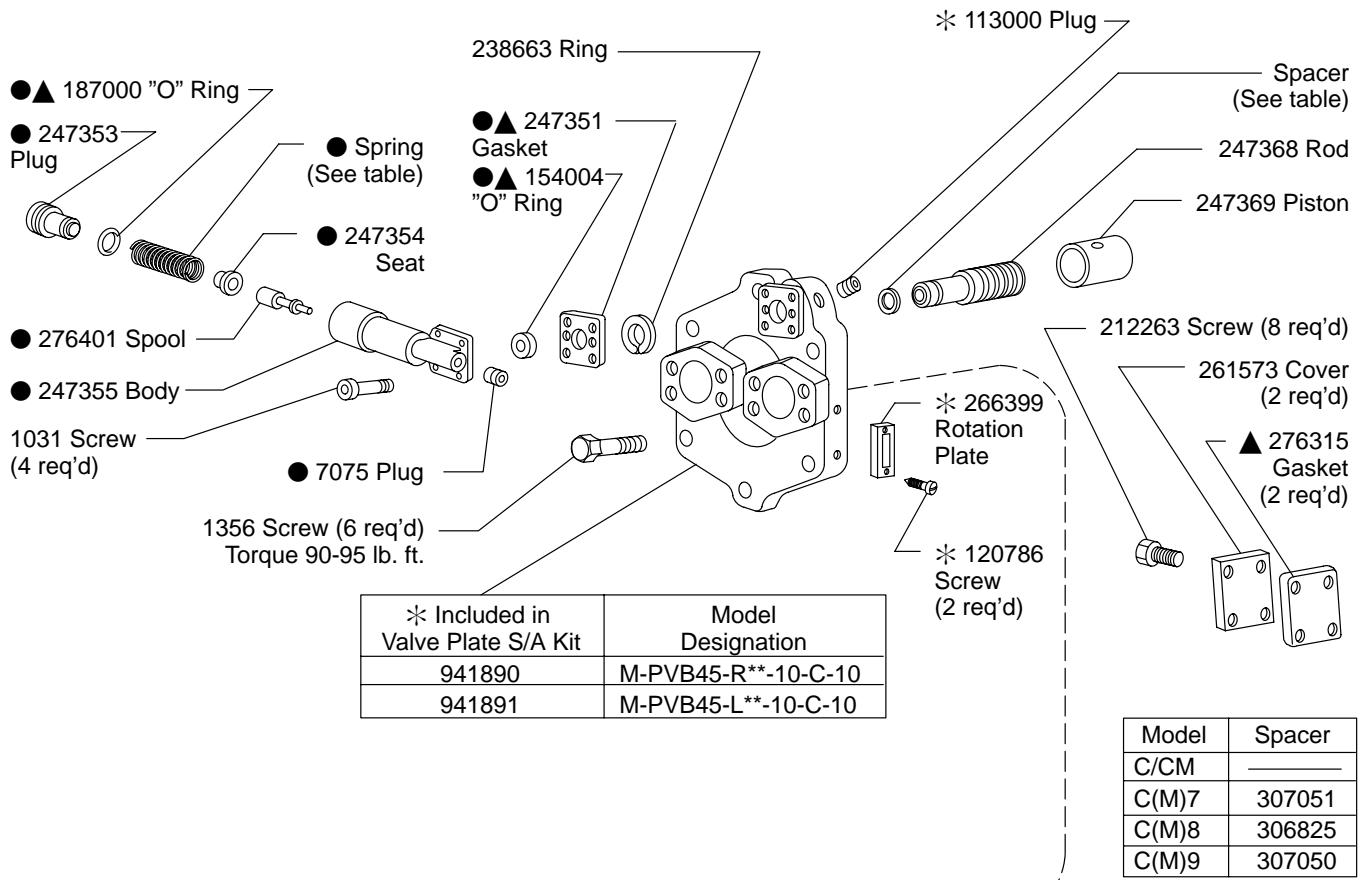
Variable Inline Piston Pumps

M-PVB45-10 Design

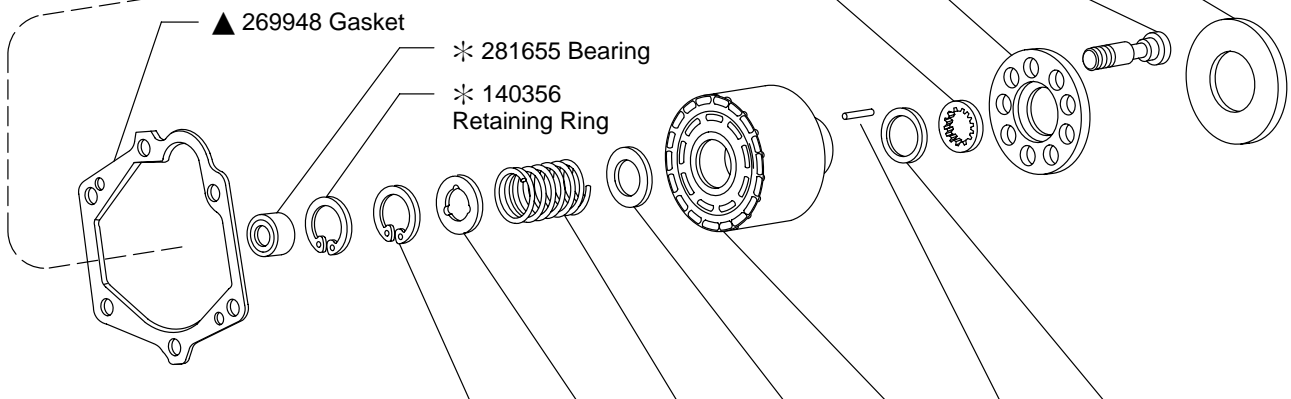


Revised 11/01/85

M-2214-S



Model Designation	Spherical Washer	Shoe Plate	Piston Kit (9 pistons)	Swash Plate	ΔRotating Group Kit
M-PVB45***-10-*-10	These parts serviced in Rotating Group KitΔ				
	241541	266112	923189	241543	938286

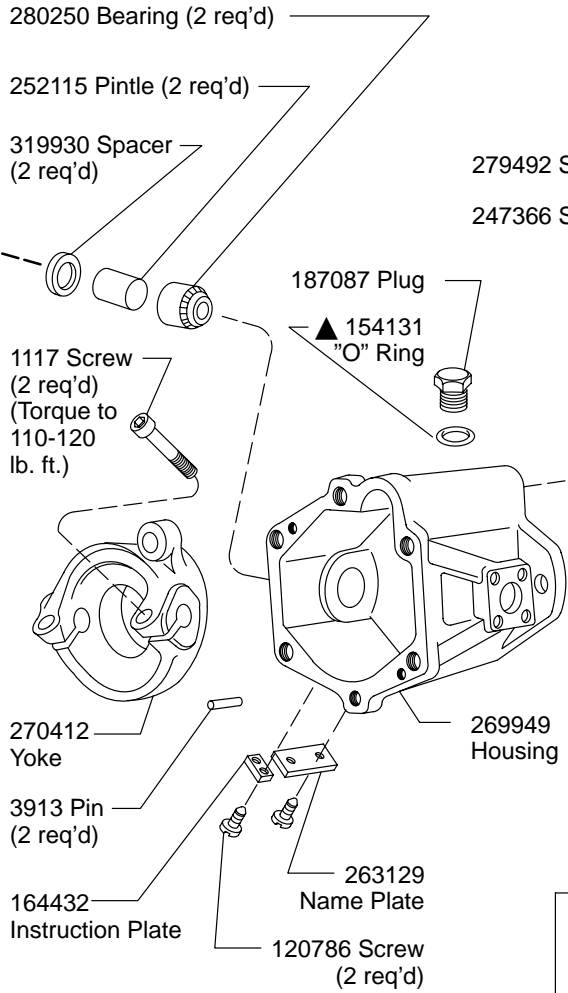
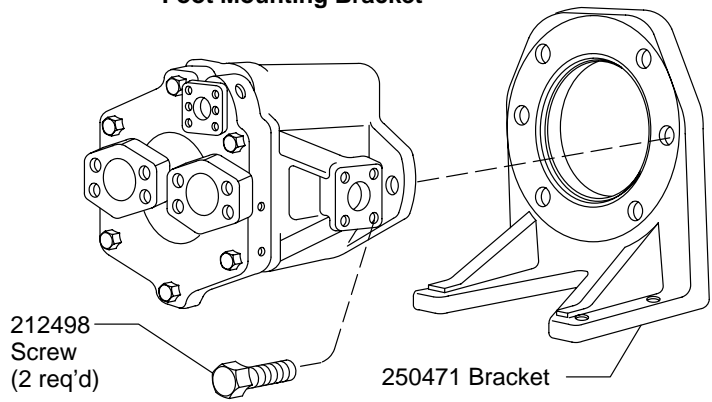


Model Designation	Retaining Ring	Lift Limiter	Spring	Thrust Washer	Cylinder Block	Pin (5 req'd)	Washer
M-PVB45***-10-*-10	These parts serviced in Rotating Group KitΔ						
	126911	246017	282557	253665	344064	248883	253664

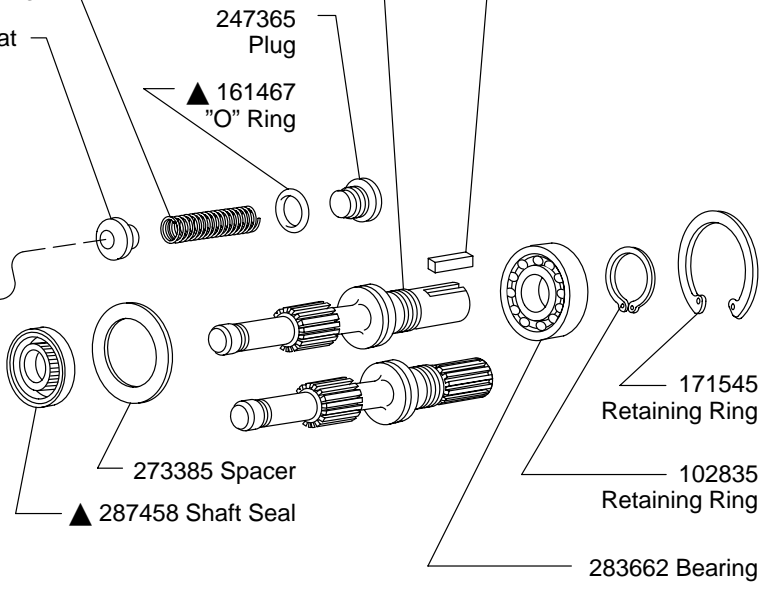
● Included in Compensator Kit

Compensator ● Type	Spring	Compensator Kit
C	245087	941744
CM	285870	941745

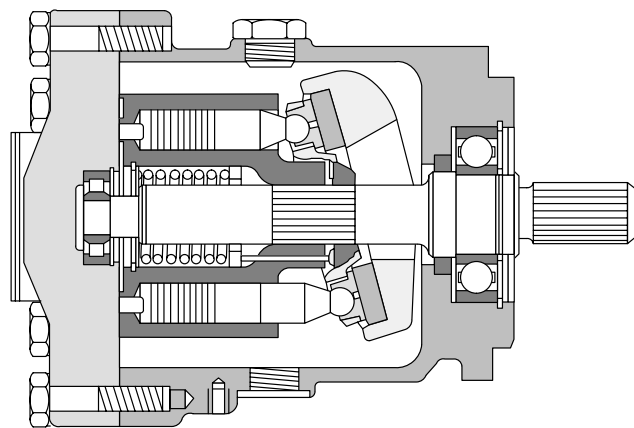
Foot Mounting Bracket



Shaft	Key	Model Designation
247371	247101	M-PVB*-**F-10-*10
318548	—	M-PVB*-**E-10-*10

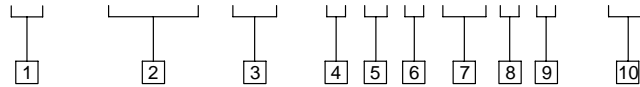


Assembly View



Model Code

M - PVB 45 - * S * 10 * * - 10



1 Mobile Application

2 Model Series

PVB - Pump, variable displacement, in-line piston unit

3 Flow Rating

@1800 RPM

45 - 45 USGPM

4 Shaft Rotation

(Viewed from shaft end)

R - Right hand

L - Left hand

5 Swash Plate Movement

S - Single side of center

6 Shaft Type

E - Splined

F - Keyed

7 Pump Design Number

8 Compensator Type

C - 250-3000 PSI

CM - 150-1500 PSI

7 Compensator Control Spacers

Omitted - 100% Flow

9 - 90% Flow

8 - 80% Flow

7 - 70% Flow

7 Control Design

For satisfactory service life of these components in industrial applications, use full flow filtration to provide fluid which meets ISO cleanliness code 18/15 or cleaner. Selections from Eaton OFP, OFR, and OFRS series are recommended.