

# Level Float Switch - RL Series

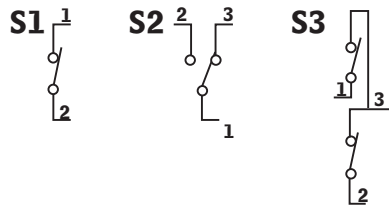
## Description

- ◆ Rapid Level Float Switch. Revolutionary new series of electro-magnetic level gauges.
- ◆ Packed in "Kit" form. Only a few seconds are required to obtain the desired length: just cut the control rod to length.
- ◆ There are no electrical components submersed in the fluid.
- ◆ Can be used in heavily contaminated fluids and refrigerating oils. Tolerates the presence of metallic particles.
- ◆ Multiple switching options are available to customize your system.
- ◆ Models suitable for high temperatures and corrosive liquids are available.

5-4

## Technical Data

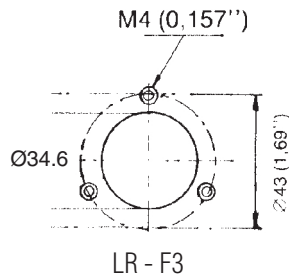
- ◆ Wiring Schematics: (absence of fluid)



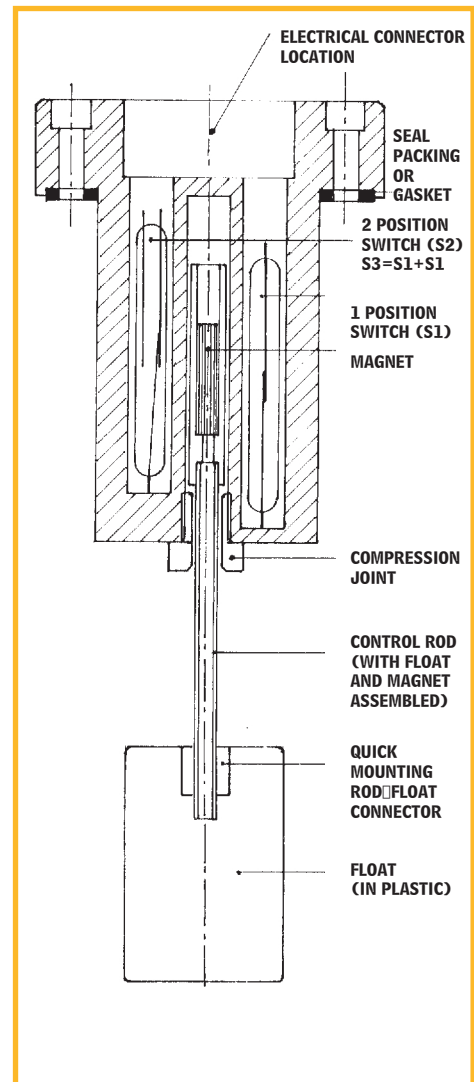
- ◆ Switch Specifications: Open or closed contacts switch  
Standard: 3A. 60W. 60 V.A. 250V  
On request: 5A. 250 V.A 250V

- ◆ Exchange Contact Switch: 1 A 30W. 60 V.A. 220V

- ◆ Mounting Pattern F3:

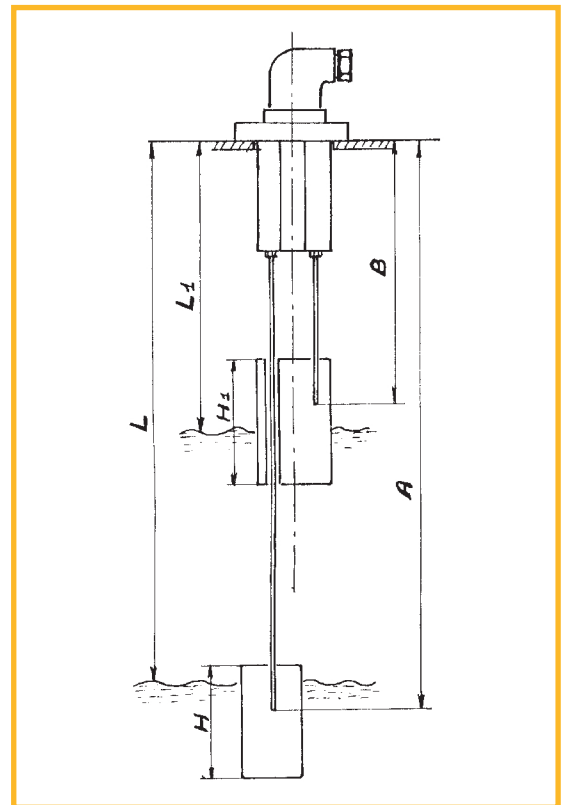


- ◆ Each level is supplied outfitted with screws and oiltight gasket



# How To Cut The Rapid Level Rod

| L/L1 | A   | B   |
|------|-----|-----|
| 120  | 116 | 116 |
| 140  | 137 | 137 |
| 160  | 158 | 158 |
| 180  | 179 | 179 |
| 200  | 200 | 200 |
| 220  | 221 | 221 |
| 240  | 242 | 242 |
| 260  | 263 | 263 |
| 280  | 284 | 284 |
| 300  | 305 | 305 |
| 320  | 326 | 326 |
| 340  | 347 | 347 |
| 360  | 368 | 368 |
| 380  | 389 | 389 |
| 400  | 410 | 410 |
| 420  | 431 | 431 |
| 440  | 452 | 452 |
| 460  | 473 | 473 |
| 480  | 494 | 494 |
| 500  | 515 | 515 |
| 520  | 511 | 536 |
| 540  | 532 | 557 |
| 560  | 553 | 578 |
| 580  | 574 | 599 |
| 600  | 595 | 620 |
| 620  | 616 | 641 |
| 640  | 637 | 662 |
| 660  | 658 | 683 |
| 680  | 679 | 704 |
| 700  | 700 | 725 |
| 720  | 721 | 746 |
| 740  | 742 | 767 |
| 760  | 763 | 788 |
| 780  | 784 | 809 |
| 800  | 805 | 830 |
| 820  | 826 | 851 |



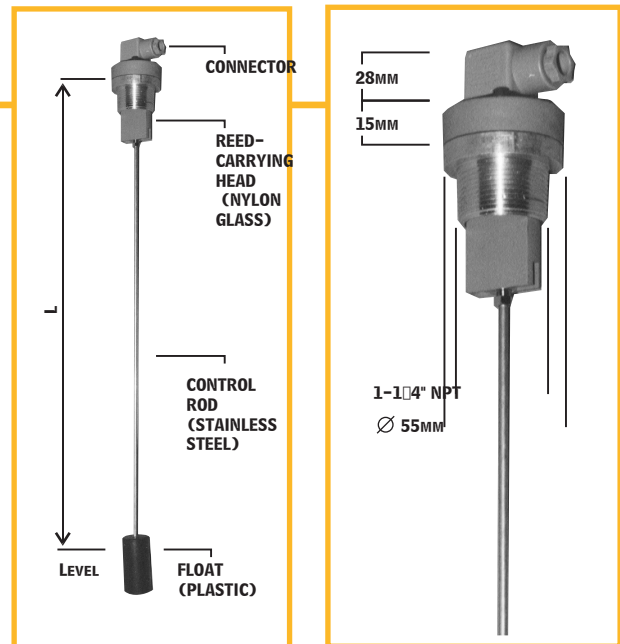
| L/L1 | A    | B   |
|------|------|-----|
| 840  | 874  | 872 |
| 860  | 868  |     |
| 880  | 889  |     |
| 900  | 910  |     |
| 920  | 931  |     |
| 940  | 952  |     |
| 960  | 973  |     |
| 980  | 994  |     |
| 1000 | 1015 |     |

- ◆ L = Liquid Level in mm  
A = Minimum Rod Level in mm  
B = Maximum Rod Level in mm
- ◆ H = 60 (L = 120:500 mm)  
H = 90 (L = 501:1000 mm)  
H1 = 70 (L = 120:1000 mm)  
H1 = 33 (L = 85 mm)
- ◆ When measuring length of rod for cutting, Don't forget to keep the rod extended!

# RL/G1 Series - Single Float

## Description

- ◆ Packed in a kit form which includes the head/connector assembly, control rod and float.
- ◆ Switches are in the head assembly thus there are no wires to position inside the control rod. The control rod is stainless steel and can be cut to length easily.
- ◆ The float is fixed to the control rod and does not contain any magnets. This eliminates the collection of ferrous material present in some fluids.
- ◆ The control rod and float move as one piece into the head assembly to actuate the switches.
- ◆ Standard model is supplied with control rod closing the switch with falling oil level. If you need open contacts add "A" to the standard code. ie: RLG1-F3-S3 "A"

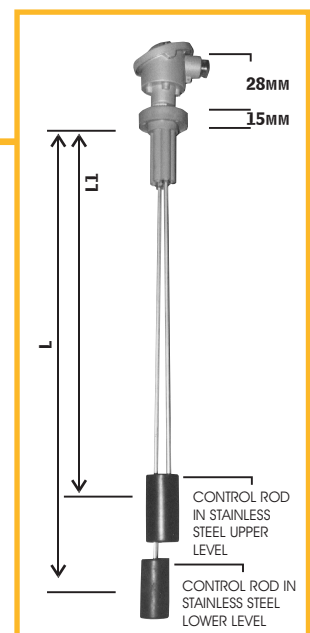


- ◆ For lengths over 500 mm or in systems with turbulence in the tank, specify type "R" reinforced rods.
- ◆ Mounting connection: T3: 1-1/4" NPT thread  
F3: Flange 3 mounting holes

# RL/G2 Series - Double Float

## Description

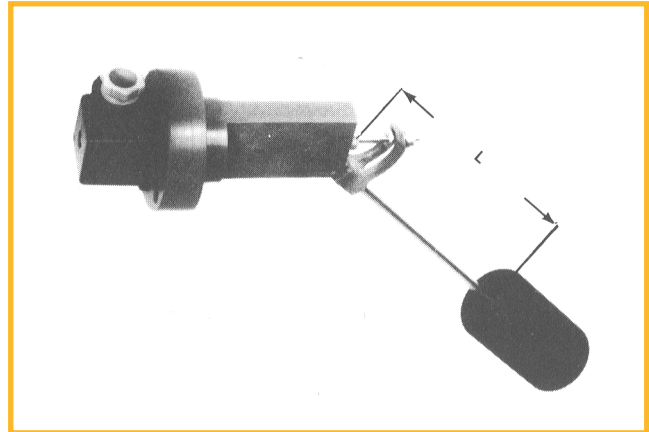
- ◆ The RL/G2's head accepts two control rods. Each control rod activates a separate switch. Each switch can be wired with S1, S2, S3, configuration. This option allows a wide variety of signal options.
- ◆ The standard model is supplied with control rod 1 closing the switch contacts with falling oil level and control rod 2 closing the switch contacts with rising oil level.
- ◆ For open switch contacts add "A" to the standard code.
- ◆ For lengths over 500mm or in systems with turbulence in the tank, specify the "R" reinforced rod.
- ◆ Mounting Connection: T3 = 1-1/4" NPT thread  
F3 = Flange, 3 mounting holes.



# RL/L Series - Side Mount

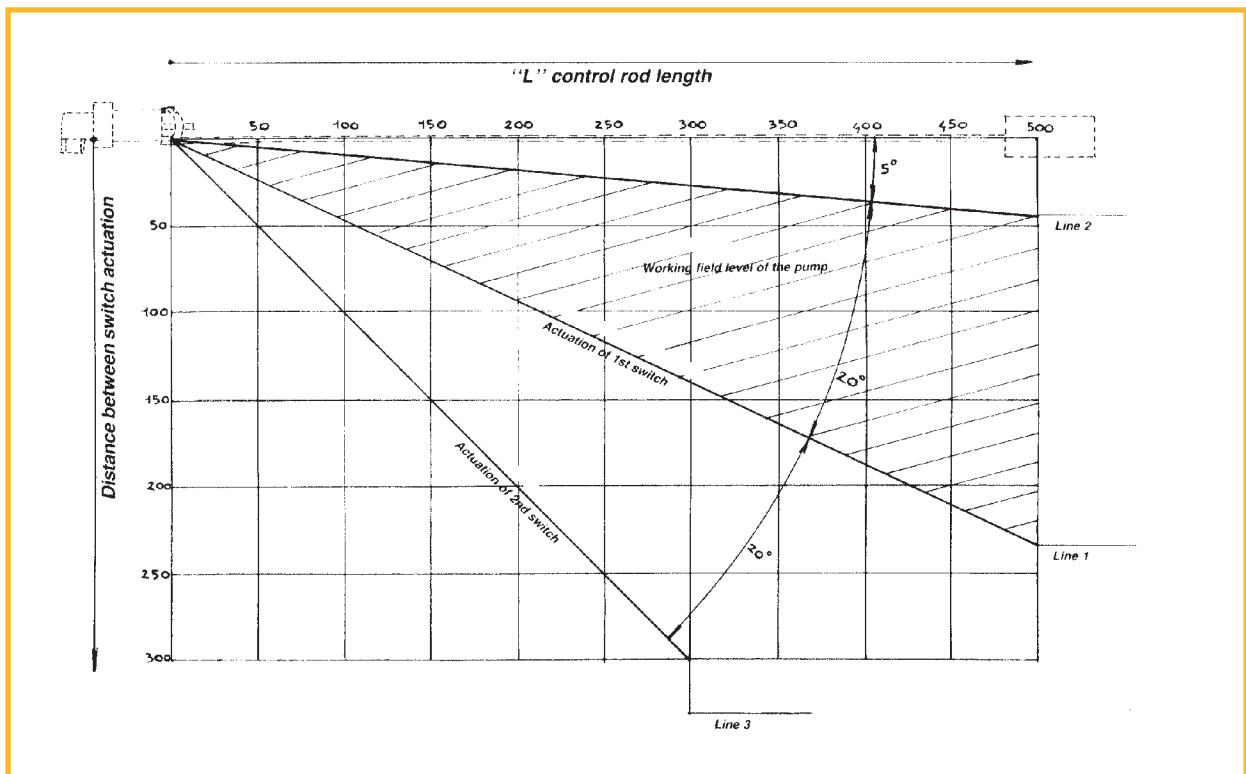
## Description

- ◆ Rapid Level lateral electro-magnetic levels packed in "Kit" form.
- ◆ This model mounted on the side of the tank, has the same basic design as the tank top version.
- ◆ Unlike the tank top models, the distance between the first and second signal is not fixed. As the length of the control rod increases the distance between the two signals increases (see graph).



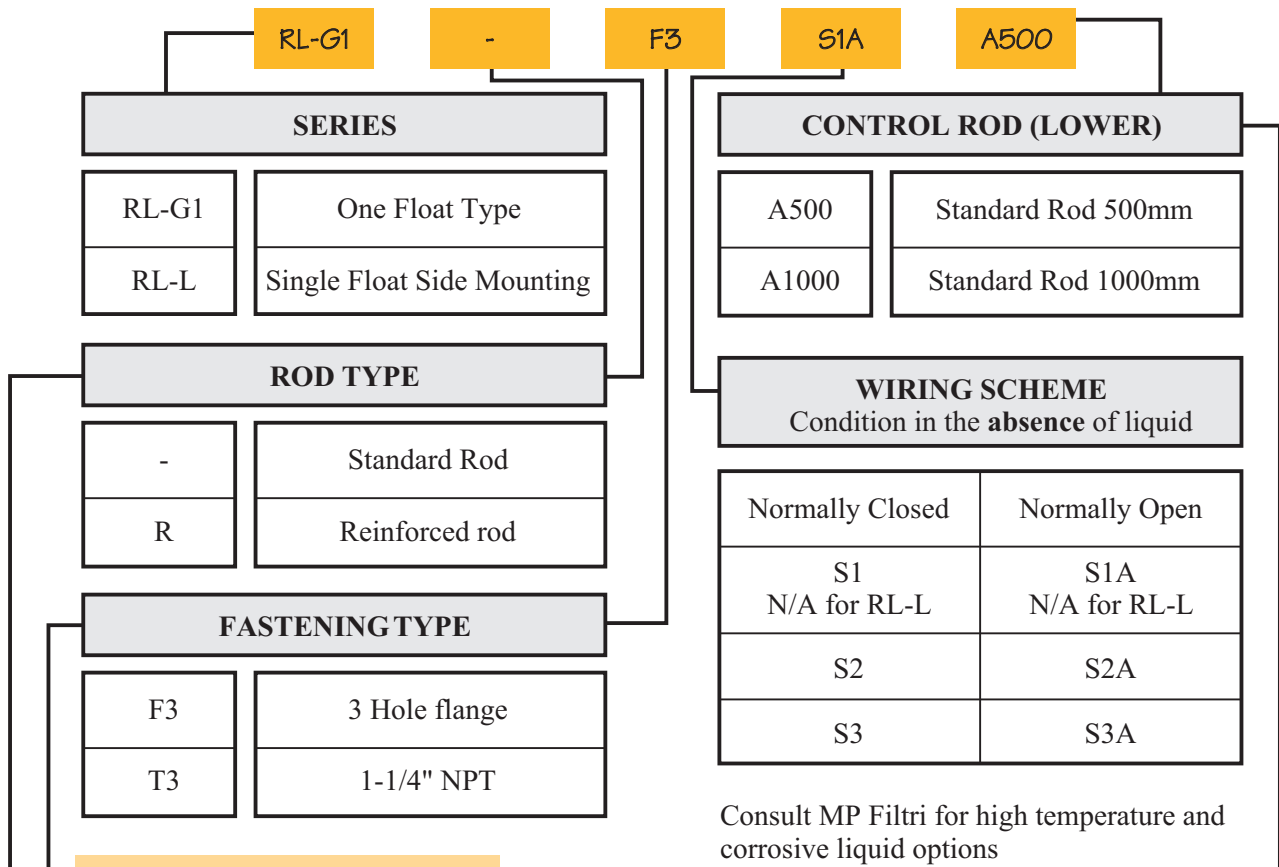
- ◆ Example using graph:

The hydraulic pump is allowed to operate through the cross hatched range. When the oil level reaches line 1 a low oil level warning signal is generated. When the oil level drops to line 3 the system is automatically shut down.



# Ordering Information RL Series

## Single Float



## Double Float

