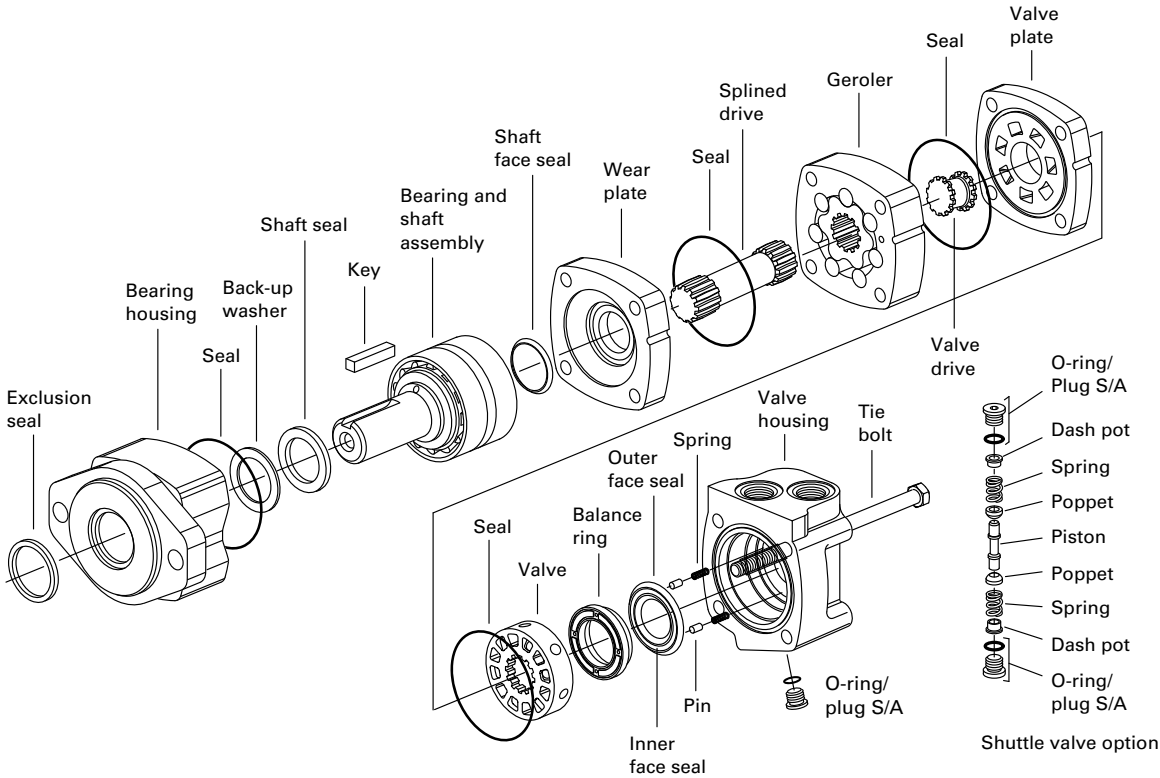


**EAT•N**

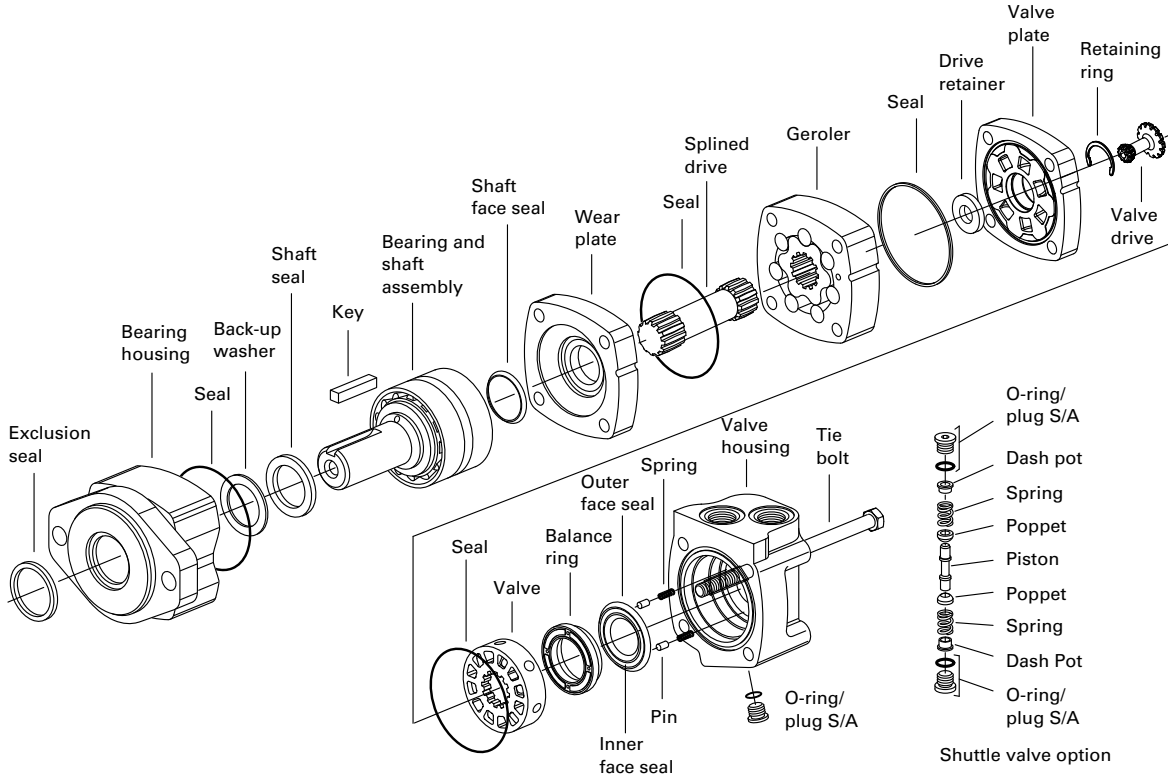
*Powering Business Worldwide*

# Table of Contents

- EXPLODED VIEW DRAWINGS ..... 3**
- TOOLS REQUIRED FOR DISASSEMBLY & REASSEMBLY..... 4**
- DISASSEMBLY ..... 5**
- REASSEMBLY..... 7**
- WHEEL MOTOR ..... 9**
- STANDARD/WHEEL MOTOR WITH SEAL GUARD ..... 9**
- STANDARD/WHEEL MOTOR WITH EXTREME DUTY SEAL GUARD ..... 10**
- BEARINGLESS MOTOR..... 10**
- DISASSEMBLY – REASSEMBLY SHUTTLE VALVE OPTION ..... 10**
- REASSEMBLY – SPEED SENSOR ..... 11**
- PRODUCT IDENTIFICATION ..... 12**
- PARTS NUMBERS & EXPLODED VIEWS ..... 13**



**2000 Series Disc valve motor exploded view**



**Exploded view applicable for displacement codes 021, 025 and 040**

## 2000 Series Disc Valve Motors

### Tools required for disassembly and reassembly.

Torque wrench 57Nm [500 lb-in] capacity

300-450 [12-16]\* breaker bar

9/16 socket

Small screwdriver 150-200 x 6,5 [6-8 x 1/4] blade

3/16 Allen wrench

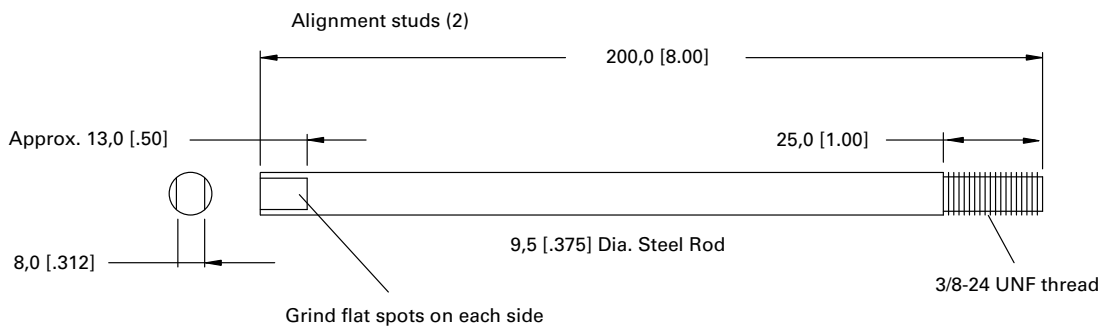
Press

\* Unless indicated otherwise, measurements are given in mm [inches]

\*\* Shaft seal installation tool (600496)

\*\* Bullet (600465) for 1 diameter shafts

**The following tools are not necessary for disassembly and reassembly, but are extremely helpful. Alignment studs (2)**



## Disassembly

Cleanliness is extremely important when repairing a hydraulic motor. Work in a clean area. Before disconnecting the lines, clean the port area of the motor thoroughly. Use a wire brush to remove foreign material and debris from around the exterior joints of the motor. Check the shaft and key slot, remove all nicks, burrs or sharp edges that might damage the bearing housing seals when installing the shaft and bearing assembly. Before starting the disassembly procedures, drain the oil from inside the motor.

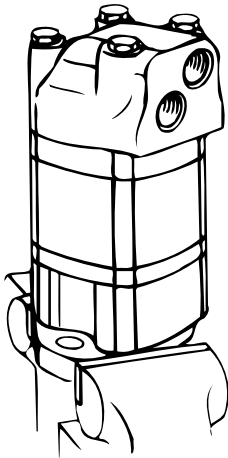


Figure 1.

1. Place the motor in a vise with the output shaft down. Clamp across the mounting flange of the motor not the housing. Excessive clamping pressure will cause distortion. When clamping, use some protective device on the vise, such as special soft jaws, pieces of hard rubber or board.

**Although not all drawings show the motor in a vise, we recommend that you keep the motor in the vise during disassembly and reassembly. Follow the clamping procedures explained throughout the manual**

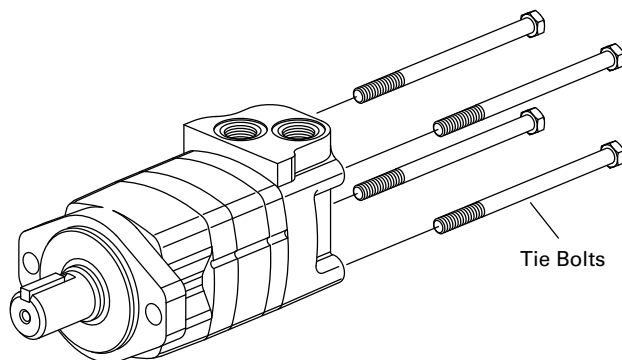


Figure 2.

2. Remove 4 bolts from motor.

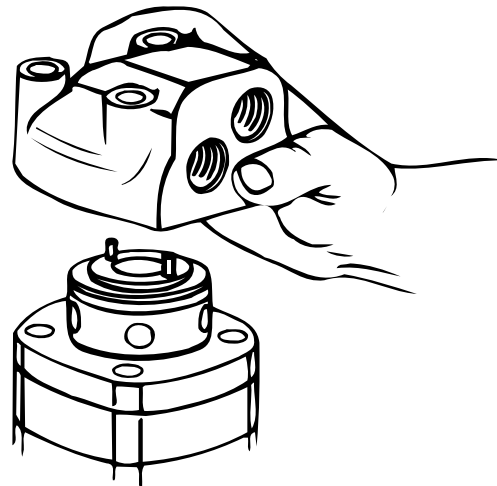


Figure 3.

3. Lift valve housing straight up. If done carefully the pins, springs, balance ring assembly, and valve will remain on the valve plate.

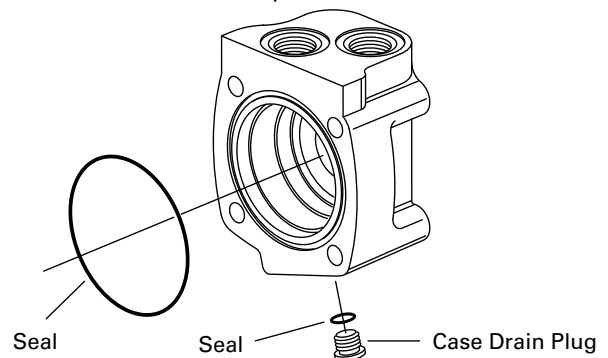


Figure 4.

4. Carefully remove 79,1 [3.11] diameter seal from valve housing.
5. Remove case drain plug—with seal, from valve housing.
6. Remove 2 pins and 2 springs from balance ring assembly, see Figure 5.

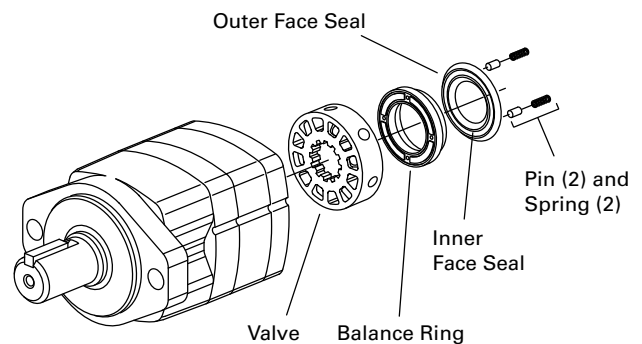
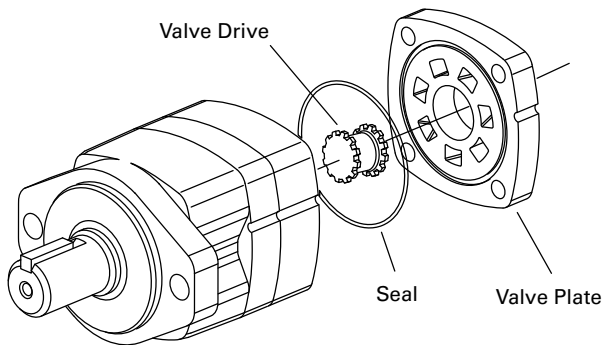


Figure 5.

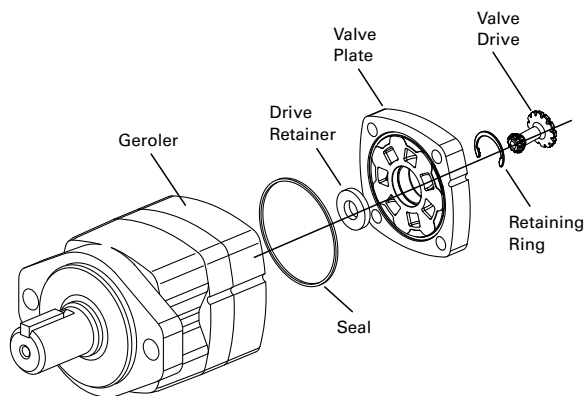
7. Remove balance ring assembly.
8. Remove inner and outer face seals from balance ring.
9. Remove the valve.

## Disassembly



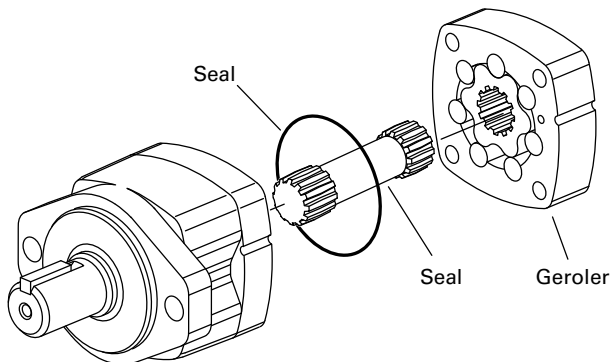
**Figure 6 (A).**

10. (A) Remove the valve plate.
11. (A) Remove the 79,1 [3.11] diameter seal from valve plate.
12. (A) Remove the valve drive.



**Figure 6 (B). Applicable for displacement codes 021, 025 and 040**

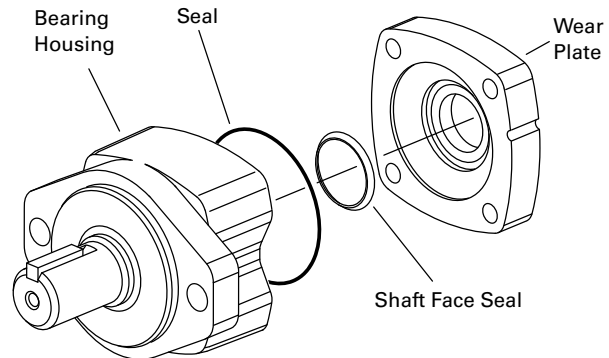
10. (B) Remove the Valve Drive and Retaining Ring
11. (B) Remove valve plate and 79,1 [3.11] diameter seal from valve plate
12. (B) Remove drive retainer



**Figure 7.**

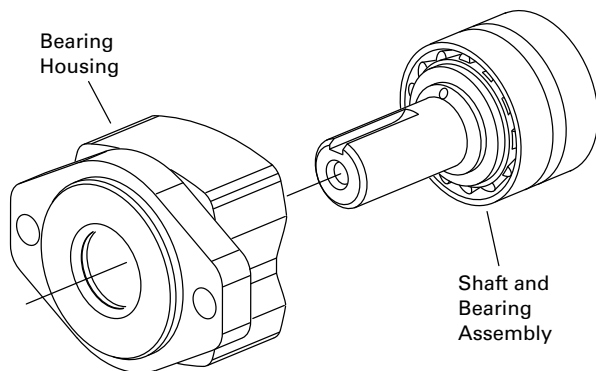
13. Remove the Geroler. Be sure to retain the rollers in the outer ring if they are loose.
14. Remove the drive.

15. Remove the 79,1 [3.11] diameter seal from wear plate, see Figure 7.



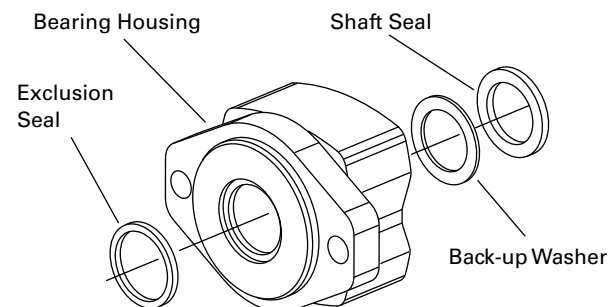
**Figure 8.**

16. Remove the wear plate.
17. Remove the shaft face seal from the wear plate.
18. Remove the 78,0 [3.07] diameter seal from bearing housing.



**Figure 9.**

19. You may need a press to remove shaft and bearing assembly from bearing housing. (Key must be removed before removing shaft.)



**Figure 10.**

20. Use a small screwdriver to remove shaft seal, back-up washer and exclusion seal from bearing housing, see Figure 10. Do not damage bore of housing.

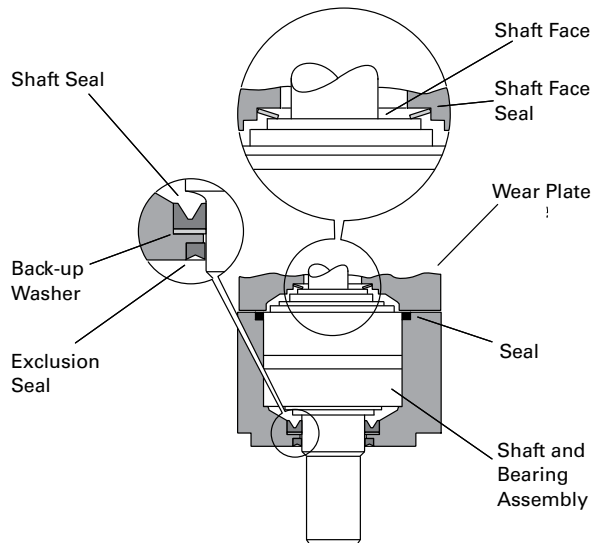
**Note:** Individual parts of shaft and bearing assembly are not sold separately. Replace as a unit.

## Reassembly

Check all mating surfaces. Replace any parts that have scratches or burrs that could cause leakage. Clean all metal parts in clean solvent. Blow dry with air. Do not wipe dry with cloth or paper towel because lint or other matter can get in the hydraulic system and cause damage. Do not use a coarse grit or try to file or grind these parts. Check around the keyway and chamfered area of the shaft for burrs, nicks or sharp edges that can damage the seals when reassembling the bearing housing.

**Note:** Use new seals when reassembling this motor. Refer to parts list (6-129) for proper seal kit number.

21. Use a press to install exclusion seal in outer bore of bearing housing. Lip of seal must face outward. See Figure 11. If a press is not available use a plastic or rubber hammer, being careful not to damage or cock seal in the bore.



**Figure 11.**

22. Place back-up washer into seal bore. Place shaft seal onto installation tool (600496) and press seal into seal bore of the housing.

23. Clamp housing in vise, see Figure 1.

24. Place protective bullet (see note below) over shaft. Apply petroleum jelly to inside diameter of dust and shaft seal. You may need a press to install shaft and bearing assembly. Do not distort shaft seal. Damage to this seal will cause leakage.

**Note:** Note: Bullet (600465), for 1 inch dia. shafts, available — by special order. Use tape over other shafts to prevent cutting the seals.

25. Install the red colored 78,0 [3.07] diameter seal into the bearing housing with flat side down.

26. Alignment studs can be very helpful in reassembly of the motor. See special tool listing page 2. If you use studs, install 2 studs diagonally opposed in the bearing housing.

27. Install the shaft face seal in the wear plate as shown

in Figure 11. Do not distort seal.

28. Install the wear plate, see Figure 11.

29. Install the 79,1 [3.11] diameter seal in the wear plate with flat side down.

30. Install the drive into the output shaft.

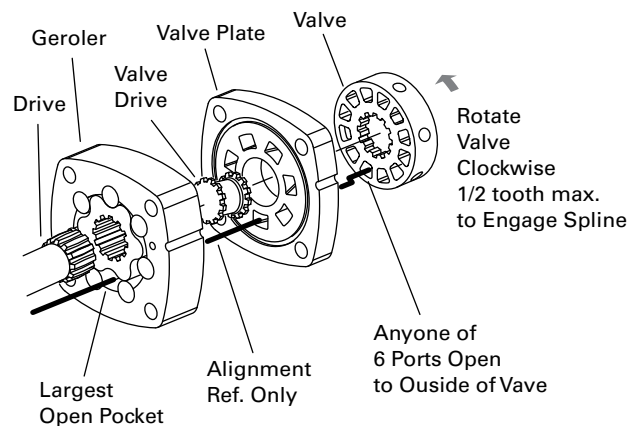
31. Align the notch on the outside of the Geroler with the notch on the wear plate. Install the Geroler against the wear plate. Be sure to retain the rollers in the outer ring if they are loose.

32. Install the valve drive in the Geroler.

**Note:** Installation at this time involves 3 steps in the timing of the motor. Timing determines the direction of rotation of the output shaft.

Timing parts include:

1. Geroler
2. Valve Drive
3. Valve Plate
4. Valve



**Figure 12. Timing alignment**

**Timing Step # 1** — Locate the largest open pocket in the Geroler and mark it on the outside of the Geroler.

33. Install the 79,1 [3.11] diameter seal in groove of valve plate with flat side down.

## Reassembly

34. Align the notch on the outside of the valve plate with the notch on the Geroler as shown in Figure 12.

**Timing Step # 2** — Locate the slot opening in the valve plate which is in line with the largest open pocket of the Geroler.

**Timing Step # 3** — Locate any one of the side openings of the valve and align this opening with the open slot of the valve plate that is in line with the largest open pocket of the Geroler. Install the valve by rotating it clockwise until the spine teeth engage (1/2 spine tooth max.). This will provide the proper rotation when pressurized as shown in Figure 13.

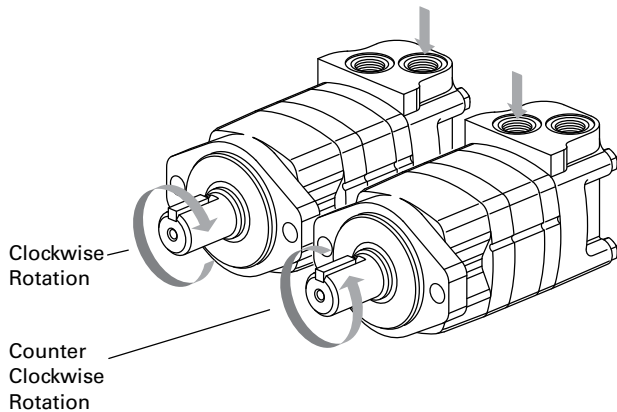


Figure 13.

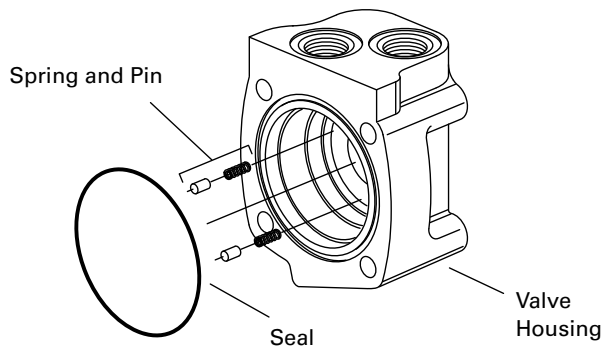


Figure 14.

35. Install 2 springs and 2 pins in the holes located in the bore of the valve housing, as shown in Figure 14.

36. Install the 79,1 [3.11] diameter seal in the valve housing with flat side down.

37. Apply petroleum jelly to inner and outer face seals. Install seals on balance ring as shown in Figure 15.

**Important:** Install face seals in the positions shown in Figure 15, or the motor will not operate properly. Do not force or bend the face seals. Any damage to these seals will affect the operation of the motor.

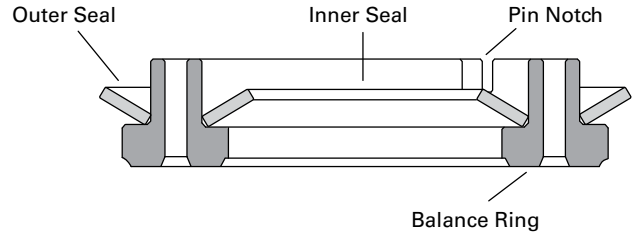


Figure 15.

38. Align pin notches in balance ring with pins in bore of valve housing. Install balance ring assembly in valve housing.

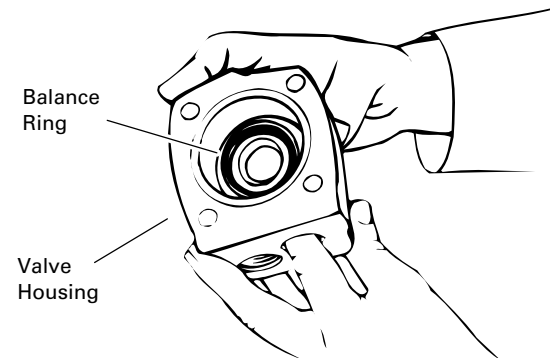


Figure 16.

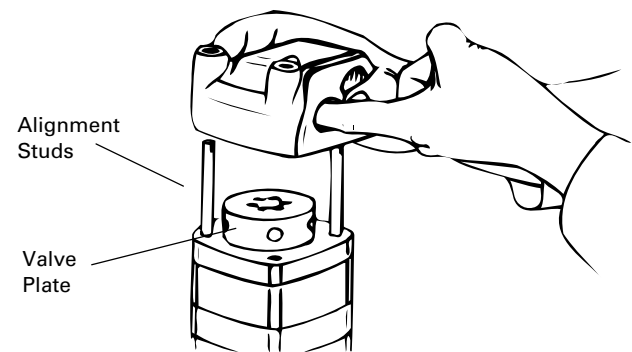


Figure 17.

39. Insert your finger through port of valve housing. Apply pressure to side of balance ring as shown in Figure 16. Hold ring in position until valve housing is in place against valve plate (see Figure 17).

**Note:** After installing the valve housing on the valve plate check for proper placement. Push down on the valve housing. You should get a slight spring action.



## Reassembly

40. Install tie bolts. If you use alignment Studs, install 2 bolts opposite the studs. Finger tighten the bolts. Remove the alignment studs and replace with the two remaining bolts. Torque all four bolts alternately to 50 Nm [450 lb-in].
41. Install seal on case drain plug then install in valve housing. Torque to 6 Nm [50 lb-in.]

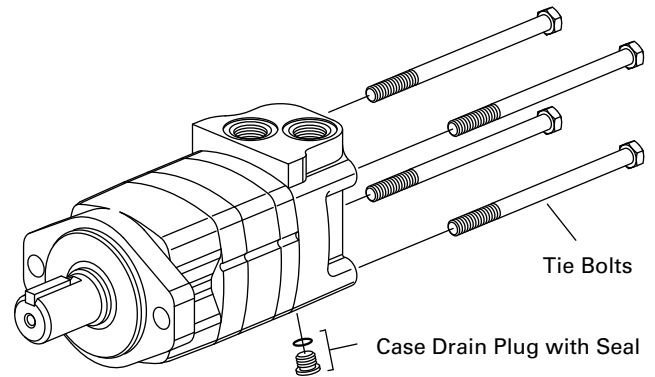


Figure 18.

## Wheel motor

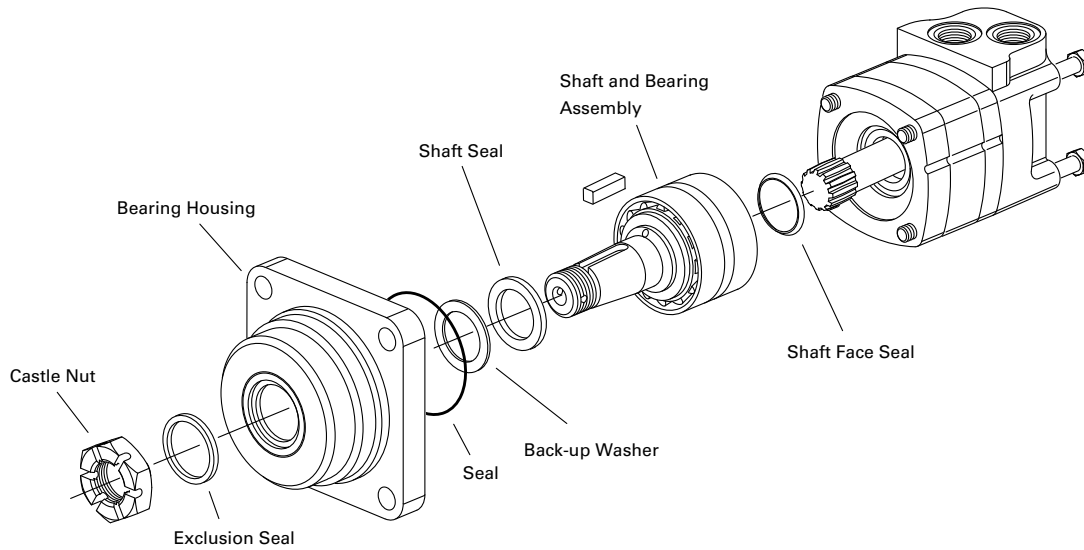


Figure 19.

On wheel motors, a different bearing housing is used, see Figure 19. Other than this the parts are the same as the standard motor and the same disassembly and reassembly procedures apply.

## Standard/Wheel motor with seal guard

### Installation of seal guard:

After completing assembly of the shaft and bearing assembly into the bearing housing, press the seal guard onto the shaft with a tool that will provide an even push over the seal. This tool must bottom out against the bearing housing and provide a 4,5 mm [.177 inch] stop for the seal guard. Applicable for standard and wheel mount motors.

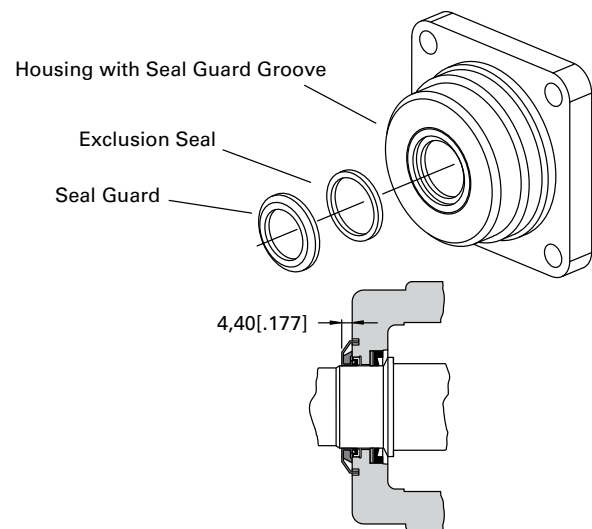


Figure 20.

## Standard/Wheel motor with extreme duty seal guard

### Installation of extreme duty seal guard:

After completing assembly of the shaft and bearing assembly into the bearing housing, press the Extreme Duty Seal Guard onto the shaft with a tool that will provide an even push over the seal. This tool must bottom out against the bearing housing and provide a 7,1 mm [.28 inch] stop for the seal guard. (Applicable for standard and wheel mount motors)

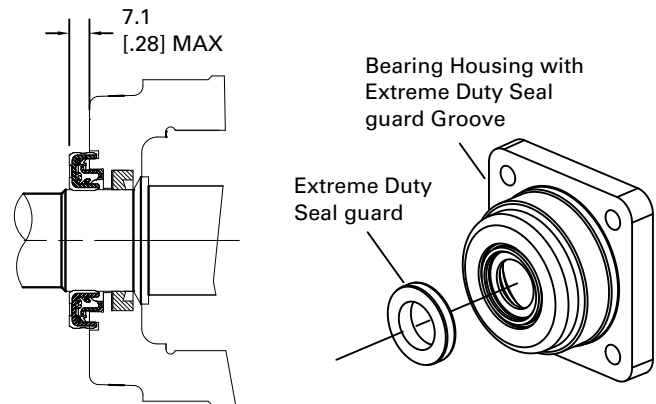


Figure 21.

## Bearingless motor

This motor is the same as the standard motor without the shaft/bearing assembly, and bearing housing. The mounting flange replaces the bearing housing, see Figure 22. Follow same disassembly and reassembly procedures as rear section of standard motor.

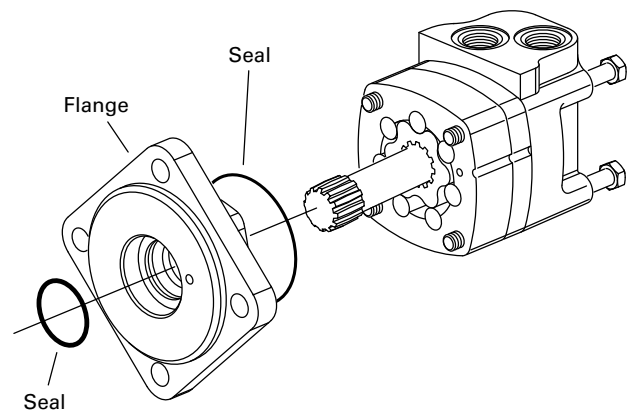


Figure 22.

## Disassembly reassembly shuttle valve option

Disassembly of shuttle valve option, this valve is located in the valve housing. Clean and inspect shuttle valve parts and reassemble with new seals, torque plugs to 8-11 Nm [75-100 lb-in].

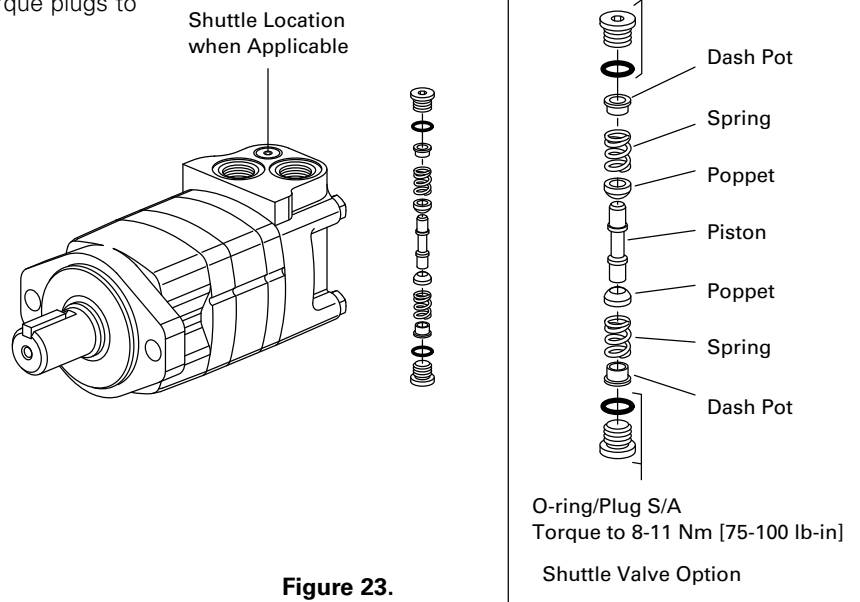


Figure 23.

## Reassembly — Speed sensor

1. Rotate the motor shaft until a (gear/target) tooth is centered in the speed sensor port. If this is not done, the sensor may be damaged during the operation of the motor.
2. Make sure the lock nut and its threads are clean and dry for the proper torque. Position the lock nut against the alignment nut as shown in Figure 24.

3. Move the washer and the o-ring up against the speed sensor body threads as shown in Figure 24.
4. By hand, lightly thread the speed sensor body into the housing until the sensor touches against the motor (gear/target) tooth.

Do not force the sensor against the (gear/target) tooth, damage may occur. Make sure the o-ring or the washer do not touch the housing — see Figure 25.

5. Turn the speed sensor body out one quarter turn (CCW) plus the additional amount (CCW) needed to make the alignment notches perpendicular to the motor shaft centerline ( $90^\circ \pm 5$  degrees from the motor shaft centerline — Figure 26 and 27).
6. Maintain the speed sensor body alignment (Figure 27), and tighten the lock nut to 8,5-14 Nm [75-125 lb-in.] (torque values are for clean dry threads).
7. Check the speed sensor body for correct alignment (Figure 27), reinstall the sensor if it is not correct.

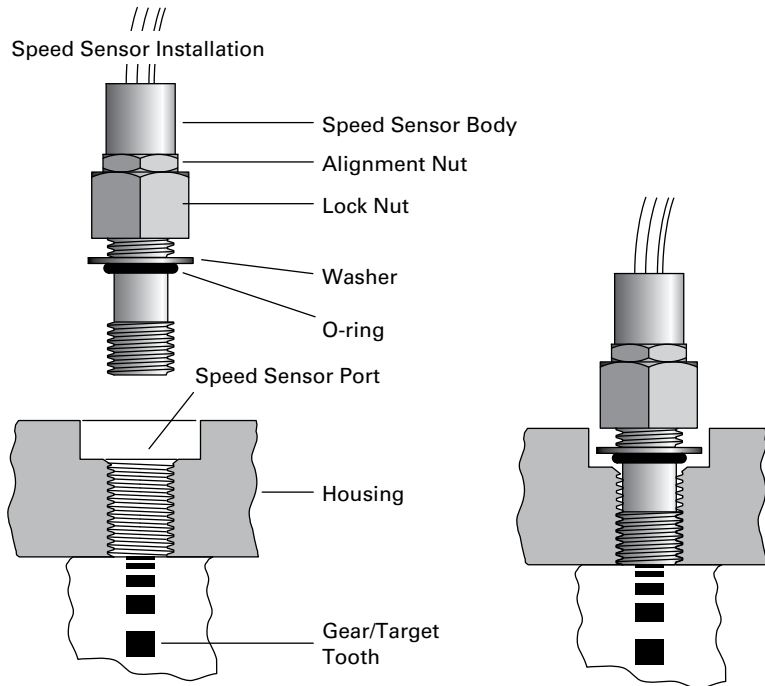


Figure 24.

Figure 25.

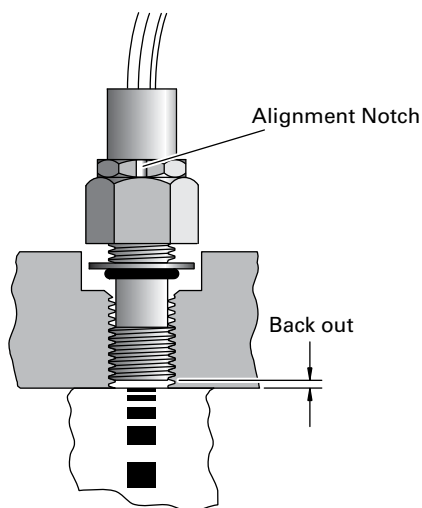


Figure 26.

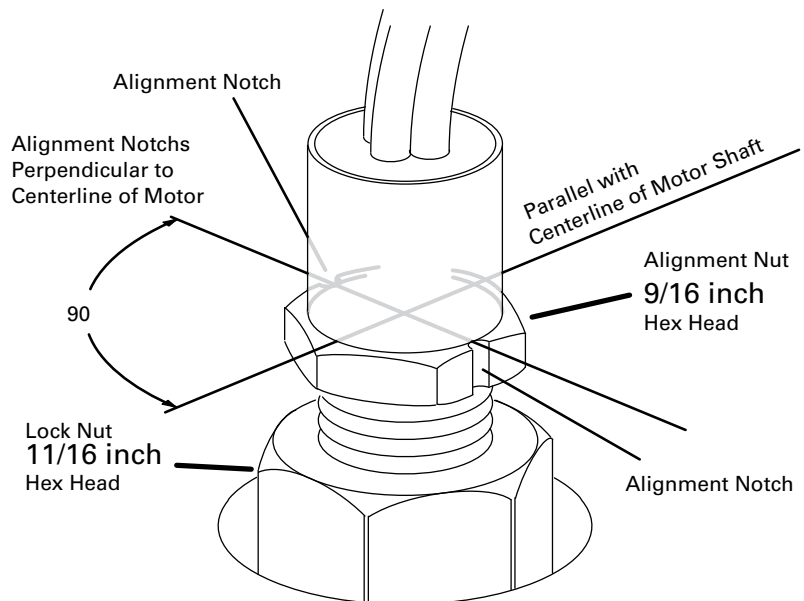


Figure 27.

# 2000 Series Disc Valve Motors

## Product identification

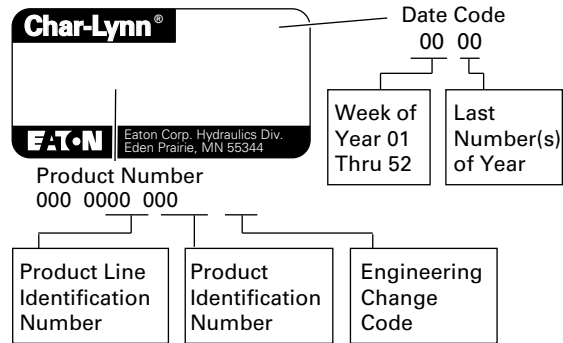
For Additional Literature Contact Eaton Corp. Hydraulics Division 15151 Highway 5 Eden Prairie, MN 55344.

- Specifications and performance data, Catalog No. 11-878
- Replacement part numbers and kit information — Parts Information No. 6-129

### How to Order Replacement Parts

Each Order Must Include the Following:

1. Product Number
2. Date Code
3. Part Name
4. Part Number
5. Quantity of Parts



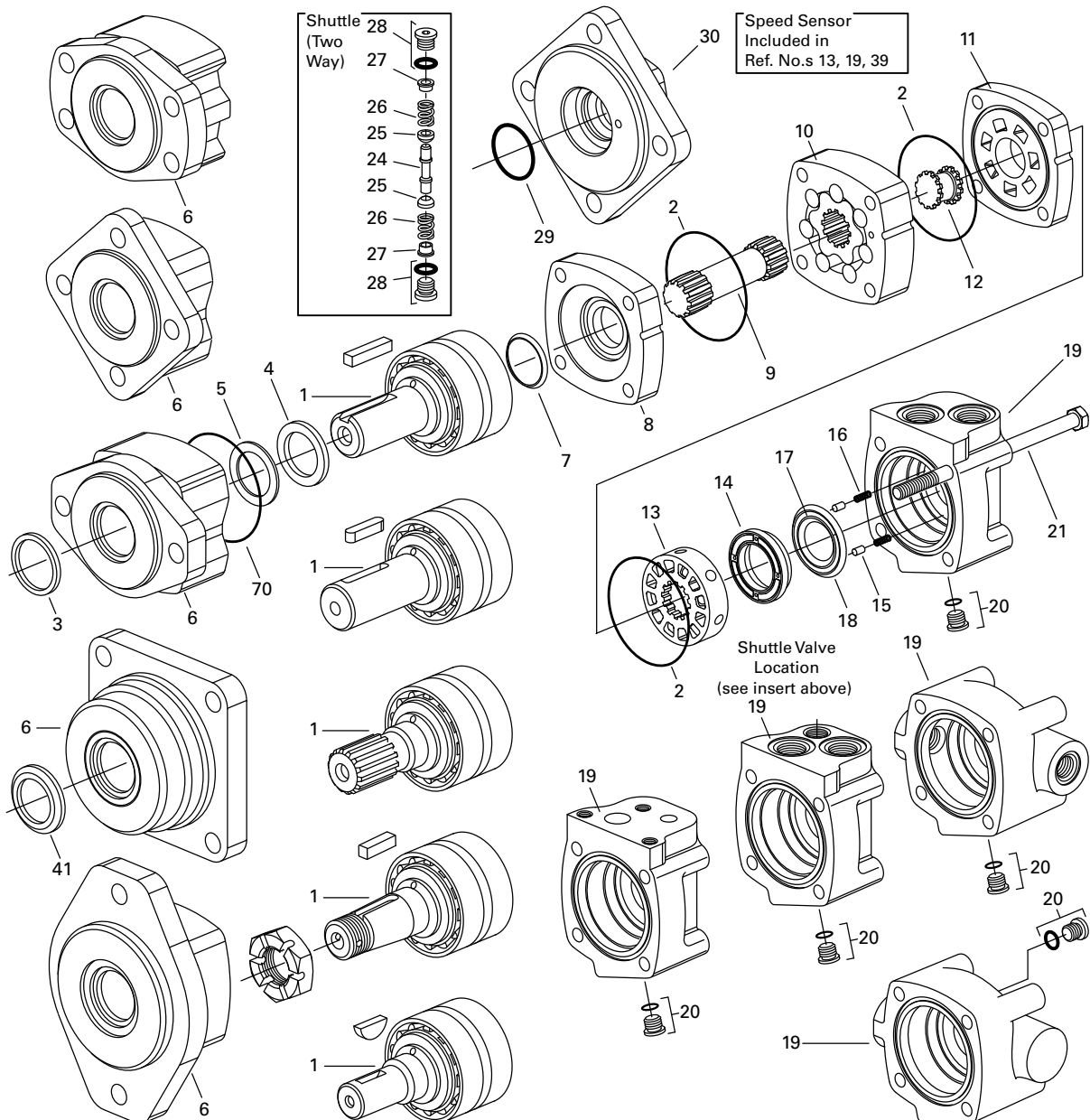
Product Numbers—2000 Series

Use digit prefix —104-, 105-, or 106- plus four digit number from charts for complete product number—Example 106-1039.

MOUNTING SHAFT	PORT SIZE	DISPL. cm <sup>3</sup> / r [in <sup>3</sup> / r]/ PRODUCT NUMBER										
		41* [2.5]	80 [4.9]	100 [6.2]	130 [8.0]	160 [9.6]	195 [11.9]	245 [14.9]	305 [18.7]	395 [24.0]	490 [29.8]	
2 Bolt SAE A Flange	1 Inch Straight	7/8 -14 O-ring Staggered	104-4708	-1001	-1002	-1003	-1004	-1005	-1006	-1007	-1143	—
		1 1/16 -12 O-ring 180° Apart	104—	-1037	-1038	-1039	-1040	-1041	-1042	-1043	-1044	—
	1 1/4 Inch Straight	7/8 -14 O-ring Staggered	104-4774	-1022	-1023	-1024	-1025	-1026	-1027	-1028	-1228	-1420
		1 1/16 -12 O-ring 180° Apart	104—	-1061	-1062	-1063	-1064	-1065	-1066	-1067	-1068	-1421
	1 1/4 Inch - 14 T Splined	7/8 -14 O-ring Staggered	104-4764	-1029	-1030	-1031	-1032	-1033	-1034	-1035	-1229	-1422
		1 1/16 -12 O-ring 180° Apart	104—	-1087	-1088	-1089	-1090	-1091	-1092	-1093	-1094	-1423
2 Bolt SAE B Flange	1 1/4 Inch Straight	7/8-14 O-ring Staggered	104—	-1200	-1201	-1202	-1203	-1204	-1205	-1206	-1207	—
	1 1/4 Inch Involute SAE C Splined	7/8 -14 O-ring Staggered	104—	-1208	-1209	-1210	-1211	-1212	-1213	-1214	-1215	—
	1 Inch SAE 6B Splined	7/8 -14 O-ring Staggered	104—	-1193	-1194	-1195	-1196	-1197	-1198	-1199	—	—
	7/8 Inch SAE B Splined	7/8 -14 O-ring Staggered	104—	-1216	-1217	-1218	-1219	-1220	—	—	—	—
Standard with 4 Bolt Flange	32 mm Straight	G 1/2 (BSP))	104-4672	-1384	-1385	-1386	-1387	-1388	-1389	-1390	-1391	—
	1 1/4 Inch 14 T Splined	G 1/2 (BSP)	104—	-1376	-1377	-1378	-1379	-1380	-1381	-1382	-1383	—
Wheel Motor	1 1/4 Inch Straight	7/8 -14 O-ring Staggered	105—	—	—	—	—	—	—	—	—	-1148
		1 1/16 -12 O-ring 180° Apart	105—	—	—	—	—	—	—	—	—	-1149
	32 mm Straight	G 1/2 (BSP)	105—	-1134	-1135	-1136	-1137	-1138	-1139	-1140	-1141	—
		7/8 -14 O-ring Staggered	105—	-1001	-1002	-1003	-1004	-1005	-1006	-1007	-1060	-1152
	1 1/4 Inch Tapered	1 1/16 -12 O-ring 180° Apart	105—	-1071	-1072	-1073	-1074	-1075	-1076	-1077	-1078	—
		7/8 -14 O-ring Staggered	105—	-1029	-1030	-1031	-1032	-1033	-1034	-1035	-1096	—
1 1/4 Inch 14 T Splined	1 1/16 -12 O-ring 180° Apart	105—	-1079	-1080	-1081	-1082	-1083	-1084	-1085	-1086	—	
	7/8 -14 O-ring Staggered	106—	-1008	-1009	-1010	-1011	-1012	-1013	-1014	-1015	-1047	
Bearingless	G 1/2 (BSP)	7/8 -14 O-ring Staggered	106—	-1038	-1039	-1040	-1041	-1042	-1043	-1044	-1045	—
		7/8 -14 O-ring Staggered	106—	-1038	-1039	-1040	-1041	-1042	-1043	-1044	-1045	—

\*New Release

Displacement cm <sup>3</sup> /r [in <sup>3</sup> /r]	Drive, Main Item No. 9 –Part No./Length		Geroler® Item No. 10 –Part No./Width		Screw, Cap (Standard/Wheel) Item No. 21 –Part No./Length		Screw, Cap (Bearingless) Item No. 21 –Part No./Length	
	Part No.	mm [inch]	Part No.	mm [inch]	Part No.	mm [in.]	Part No.	mm [in.]
34 [ 2.1]	21371-024	74,2 [2.92]	21625-020	7,5 [ .30]	14384-033	117,3 [4.62]	-----	-----
41 [ 2.5]	21371-022	75,7 [2.98]	21625-016	9,0 [ .36]	14384-003	121,2 [4.77]	-----	-----
66 [ 4.0]	21371-023	80,4 [3.17]	21625-017	14,7 [ .58]	14384-004	126,7 [4.99]	-----	-----
80 [ 4.9]	21371-009	76,2 [3.00]	21625-001	17,8 [ .70]	14384-004	126,7 [4.99]	14384-001	108,2 [4.26]
100 [ 6.2]	21371-010	80,8 [3.18]	21625-002	22,5 [ .88]	14384-006	135,4 [5.33]	14384-002	113,0 [4.45]
130 [ 8.0]	21371-004	87,2 [3.43]	21625-003	28,9 [1.14]	14384-007	138,4 [5.45]	14384-003	121,1 [4.77]
160 [ 9.6]	21371-004	87,2 [3.43]	21625-004	28,9 [1.14]	14384-007	138,4 [5.45]	14384-003	121,1 [4.77]
195 [11.9]	21371-005	94,0 [3.70]	21625-005	35,6 [1.40]	14384-008	144,8 [5.70]	14384-004	126,7 [4.99]
245 [14.9]	21371-006	103,1 [4.06]	21625-006	44,7 [1.76]	14384-010	154,9 [6.10]	14384-007	138,4 [5.45]
305 [18.7]	21371-007	114,4 [4.51]	21625-007	56,0 [2.21]	14384-012	164,5 [6.48]	14384-008	144,8 [5.70]
395 [24.0]	21371-008	130,4 [5.13]	21625-008	72,0 [2.83]	14384-014	182,4 [7.18]	14384-012	164,5 [6.48]
490 [29.8]	21371-012	147,9 [5.82]	21625-010	89,4 [3.52]	14384-019	199,6 [7.86]	14384-014	182,4 [7.18]

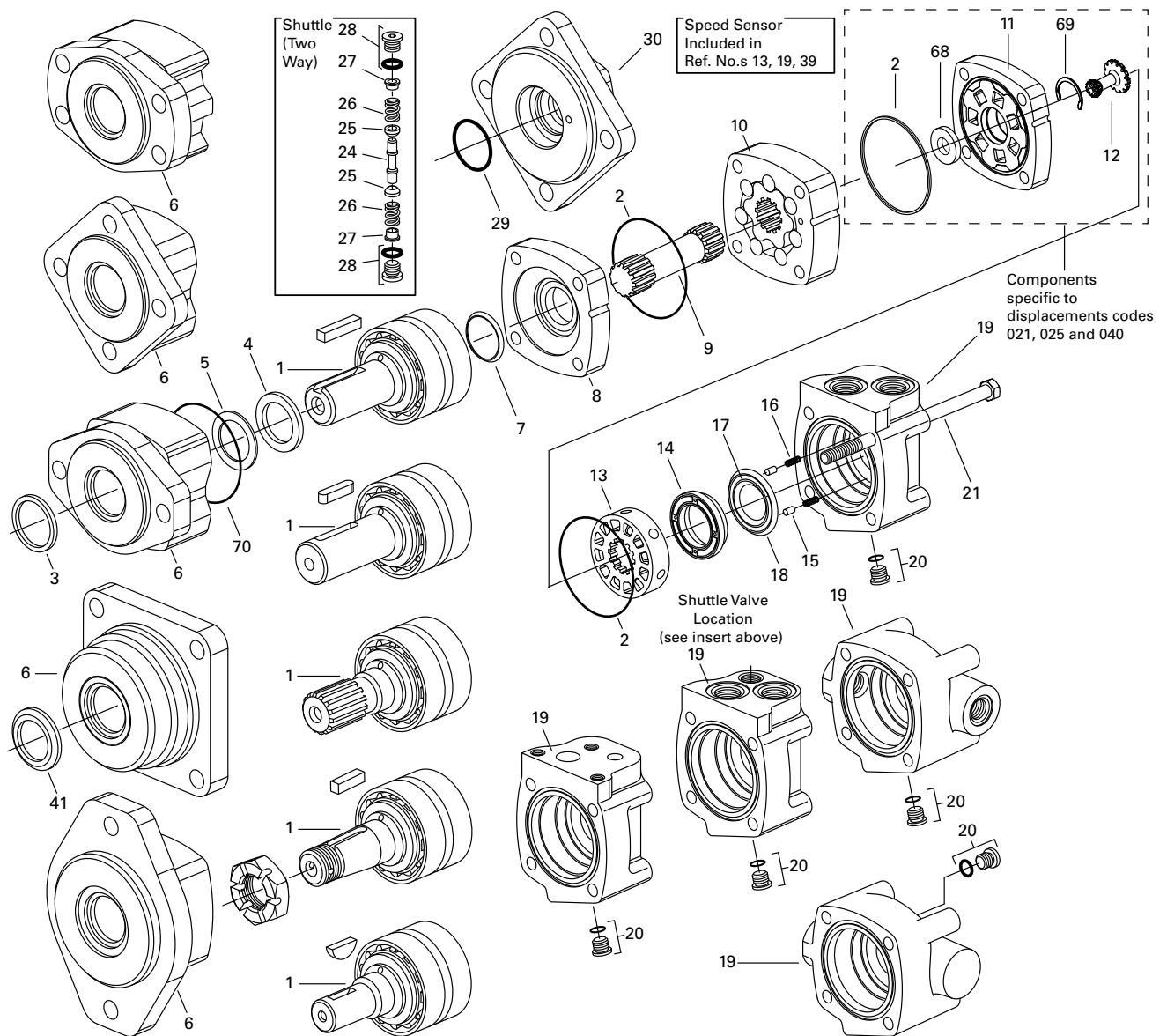


## 2000 Series Disc Valve Motors

Item No.	Part Number	Description	Quantity per Unit		
			Std.	Whl.	Brgl.
1	21618-001	Shaft and Bearing Kit (1 inch Straight)	1	1	
	14193-000	Key (for 1 Straight Shaft)	1	1	
	21618-002	Shaft and Bearing Kit (1-1/4 inch Straight)	1	1	
	14392-008	Key (for 1-1/4 Straight Shaft)	1	1	
	21618-003	Shaft and Bearing Kit (1-1/4 in. Tapered)	1	1	
	21618-032	Shaft and Bearing Kit (1-1/4 in. Tapered — Special shaft for Seal Guard)			1
	14163-000	Nut, Hex (1-1/4 in. Tapered Shaft)	1	1	
	14392-006	Key (for 1-1/4 in. Tapered Shaft)	1	1	
	21618-004	Shaft and Bearing Kit (1-1/4 in. Splined 14T)	1	1	
	21618-005	Shaft and Bearing Kit (1 in. 6B Splined)	1	1	
	21618-007	Shaft and Bearing Kit (7/8 Splined 13T)	1	1	
	21618-023	Shaft and Bearing Kit (32 mm Straight)	1	1	
	14460-005	Key (for 32 mm Straight Shaft)	1	1	
	21618-026	Shaft and Bearing Kit (25 mm Straight)	1	1	
		14462-006	Key (for 25 mm Straight Shaft)	1	1
O† 2	5998675-001	Seal	3	3	3
† 3	9121-001	Seal, Exclusion	1	1	
† 4	6043475-001	Seal, Shaft	1	1	
† 5	7382-000	Ring, Back-up	1	1	1
6	21578-004	Housing, Bearing, SAE A (Two Bolt)	1		
	21578-003	Housing, Bearing, Wheel Mount (Four Bolt)		1	
	21578-015	Housing, Bearing, Wheel Mount (Four Bolt) — Compatible for HAYES Brake		1	
	21578-001	Housing, Bearing, SAE B (Two Bolt)	1		
	21578-005	Housing, Bearing, Diagonal (Four Bolt)	1		
	21578-008	Housing, Bearing, Magneto (Four Bolt)	1		
	21578-016	Housing, Bearing, Wheel Mount (Four Bolt) — with Seal Guard Groove		1	
† 7	9050-000	Seal, Shaft Face	1	1	
8	22102-000	Plate, Wear	1	1	
9	*	Drive, Main	1	1	1
10	*	Geroler®	1	1	1
11	22134-000	Plate, Valve	1	1	1
12	8433-000	Drive, Valve	1	1	1
13	21466-000	Valve	1	1	1
	201307-002	Valve — Speed Sensor Valve	1	1	1
14	8915-000	Balance Ring	1	1	1
15	14351-000	Pin, Balance Ring	2	2	2
16	7383-000	Spring, Compression	2	2	2
O† 17	9049-001	Seal, Face, Inner	1	1	1
O† 18	9135-002	Seal, Face, Outer	1	1	1
19	21564-001	Housing, Valve (7/8-14 Str. Thrd. O-ring Ports — 7/16-20 Case Drain Port)	1	1	1
	21564-012	Housing, Valve (7/8-14 Str. Thrd. O-ring Ports — 7/16-20 Case Drain Port) — Speed Sensor Housing	1	1	1
	21564-002	Housing, Valve (1 - 1/16-12 180 Apart — 7/16-20 Case Drain Port)	1	1	1
	21564-016	Housing, Valve (1 - 1/16-12 180 Apart — 7/16-20 Case Drain Port) — Speed Sensor Housing	1	1	1
	21564-007	Housing, Valve (G 1/2 (BSP) Ports — G 1/4 (BSP) Case Drain Port)	1	1	1
	21564-015	Housing, Valve (G 1/2 (BSP) Ports — G 1/4 (BSP) Case Drain Port) — Speed Sensor Housing	1	1	1
	21564-010	Housing, Valve (7/8-14 Str. Thrd. O-ring Ports — 7/16-20 Case Drain Port) — Shuttle Valve Housing	1	1	1
	21564-004	Housing, Valve (Manifold Mount — 7/16-20 Case Drain Port)	1	1	1
	21564-008	Housing, Valve (Manifold Mount — G 1/4 (BSP) Case Drain Port)	1	1	1
	21564-006	Housing, Valve (7/8-14 Str. Thrd. O-ring End Ports — 7/16-20 Case Drain Port)	1	1	1

Continued on Page 16

Displacement cm <sup>3</sup> /r [in <sup>3</sup> /r]	Drive, Main Item No. 9 –Part No./Length		Geroler® Item No. 10 –Part No./Width		Screw, Cap (Standard/Wheel) Item No. 21 –Part No./Length		Screw, Cap (Bearingless) Item No. 21 –Part No./Length	
	Part No.	mm [inch]	Part No.	mm [inch]	Part No.	mm [in.]	Part No.	mm [in.]
34 [ 2.1]	21371-024	74.2 [2.92]	21625-020	7.5 [ .30]	14384-033	117.3 [4.62]	-----	-----
41 [ 2.5]	21371-022	75.7 [2.98]	21625-016	9.0 [ .36]	14384-003	121.2 [4.77]	-----	-----
66 [ 4.0]	21371-023	80.4 [3.17]	21625-017	14.7 [ .58]	14384-004	126.7 [4.99]	-----	-----
80 [ 4.9]	21371-009	76.2 [3.00]	21625-001	17.8 [ .70]	14384-004	126.7 [4.99]	14384-001	108.2 [4.26]
100 [ 6.2]	21371-010	80.8 [3.18]	21625-002	22.5 [ .88]	14384-006	135.4 [5.33]	14384-002	113.0 [4.45]
130 [ 8.0]	21371-004	87.2 [3.43]	21625-003	28.9 [1.14]	14384-007	138.4 [5.45]	14384-003	121.1 [4.77]
160 [ 9.6]	21371-004	87.2 [3.43]	21625-004	28.9 [1.14]	14384-007	138.4 [5.45]	14384-003	121.1 [4.77]
195 [11.9]	21371-005	94.0 [3.70]	21625-005	35.6 [1.40]	14384-008	144.8 [5.70]	14384-004	126.7 [4.99]
245 [14.9]	21371-006	103.1 [4.06]	21625-006	44.7 [1.76]	14384-010	154.9 [6.10]	14384-007	138.4 [5.45]
305 [18.7]	21371-007	114.4 [4.51]	21625-007	56.0 [2.21]	14384-012	164.5 [6.48]	14384-008	144.8 [5.70]
395 [24.0]	21371-008	130.4 [5.13]	21625-008	72.0 [2.83]	14384-014	182.4 [7.18]	14384-012	164.5 [6.48]
490 [29.8]	21371-012	147.9 [5.82]	21625-010	89.4 [3.52]	14384-019	199.6 [7.86]	14384-014	182.4 [7.18]



**Exploded view applicable for displacement codes 021, 025 and 040**

## 2000 Series Disc Valve Motors

Continued from Page 14

Item No.	Part Number	Description	Quantity per Unit		
			Std.	Whl.	Brgl.
20	9072-003	Plug Assembly (7/16-20 Case Drain Plug)	1	1	1
0†	250003-904	O-ring	1	1	1
	9170-002	Plug Assembly (G 1/4 (BSP) Case Drain Plug)	1	1	1
0†	250003-904	O-ring	1	1	1
21	*	Screw, Cap	4	4	4
24	8566-000	Piston Shuttle	1	1	1
25	8567-000	Poppet	2	2	2
26	230079-000	Spring	2	2	2
27	8755-000	Sleeve, Dash Pot	2	2	2
28	9072-005	Plug Assembly (9/16-18 Shuttle Valve End)	2	2	2
	250003-906	O-ring	2	2	2
0 29	15127-000	Seal			1
30	21569-000	Seal, Flange, Mounting			1
39	201137-001	Sensor, Speed — 127mm [5.0 in.] Lead Wire		1	
41	14628-002	Guard, Seal		1	
68	6035860-001	Retainer, Drive	1	1	1
69	114829-001	Ring, Retaining	1	1	1
† 70	5996787-002	Seal	1	1	
	61258-000	Seal Kit (Std. and Whl. Motors)—Contains Parts Indicated by †			
	61259-000	Seal Kit (Bearingless Motor Only)—Contains Parts Indicated by 0			
	61263-000	Seal Kit, Viton**(Std. and Whl. Motors)—Contains Parts Indicated by †			
	61261-000	Seal Kit, Viton**(Bearingless Motor Only)—Contains Parts Indicated by 0			
	61289-000	Seal Kit, Wheel Motor with Seal Guard—Contains Parts Indicated by † and Seal Guard (Item No. 41)			

Viton® is a Registered Trade Name of Dupont Corporation.

\* —See Chart on Opposite Page.

\*\* —Viton Seal Part Numbers Differ from Part Numbers Shown above. Note: Backup Ring Item 5 is not used with Viton Shaft Seal Item 4.



2000 Series Disc Valve Motors

Notes: \_\_\_\_\_

\_\_\_\_\_

\_\_\_\_\_

\_\_\_\_\_

\_\_\_\_\_

\_\_\_\_\_

\_\_\_\_\_

\_\_\_\_\_

\_\_\_\_\_

\_\_\_\_\_

\_\_\_\_\_

\_\_\_\_\_

\_\_\_\_\_

\_\_\_\_\_

\_\_\_\_\_

\_\_\_\_\_

\_\_\_\_\_

\_\_\_\_\_

\_\_\_\_\_

\_\_\_\_\_

\_\_\_\_\_

\_\_\_\_\_

\_\_\_\_\_

**Eaton**  
Hydraulics Group USA  
14615 Lone Oak Road  
Eden Prairie, MN 55344  
USA  
Tel: 952-937-9800  
Fax: 952-294-7722  
[www.eaton.com/hydraulics](http://www.eaton.com/hydraulics)

**Eaton**  
Hydraulics Group Europe  
Route de la Longeraie 7  
1110 Morges  
Switzerland  
Tel: +41 (0) 21 811 4600  
Fax: +41 (0) 21 811 4601

**Eaton**  
Hydraulics Group Asia Pacific  
Eaton Building  
No.7 Lane 280 Linhong Road  
Changning District,  
Shanghai 200335  
China  
Tel: (+86 21) 5200 0099  
Fax: (+86 21) 2230 7240

**Eaton**  
1000 Eaton Boulevard  
Cleveland, OH 44122  
United States  
[Eaton.com](http://Eaton.com)

© 2019 Eaton  
All Rights Reserved  
Printed in USA  
Publication No. C-MOLO-TM010-E2  
May 2019

Eaton is a registered trademark.

All trademarks are property  
of their respective owners.

**EATON**  
*Powering Business Worldwide*