

Service Data

Vickers®

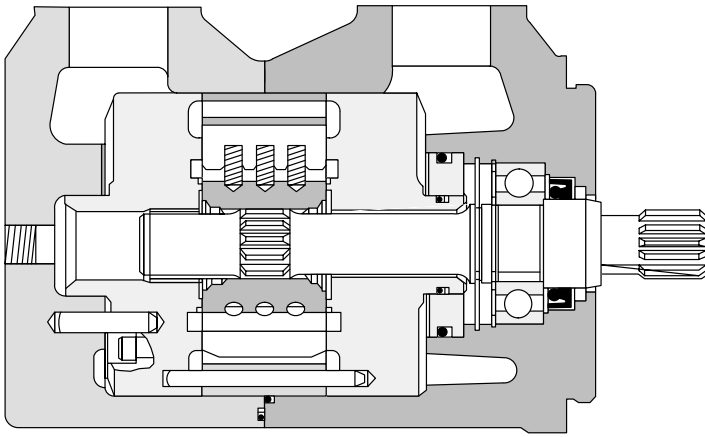
Vane Motors



Vane Motors

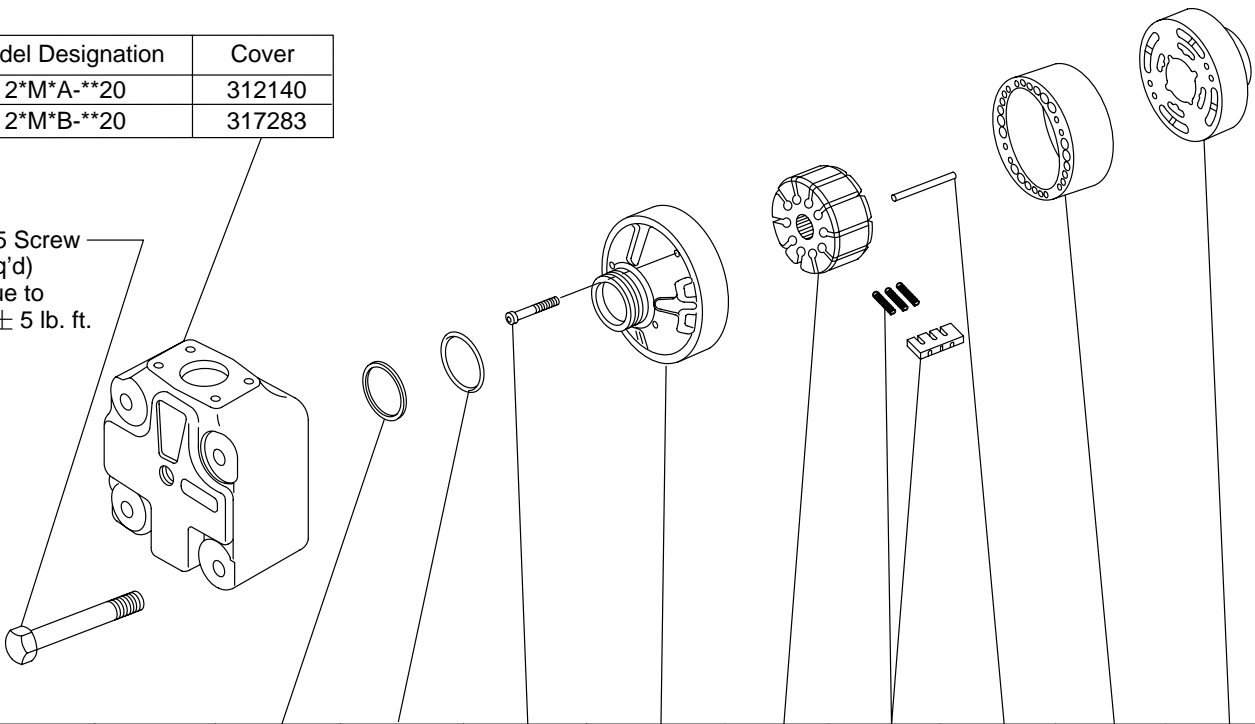
25M & 26M Series
-20 Design





Model Designation	Cover
2*M*A-**20	312140
2*M*B-**20	317283

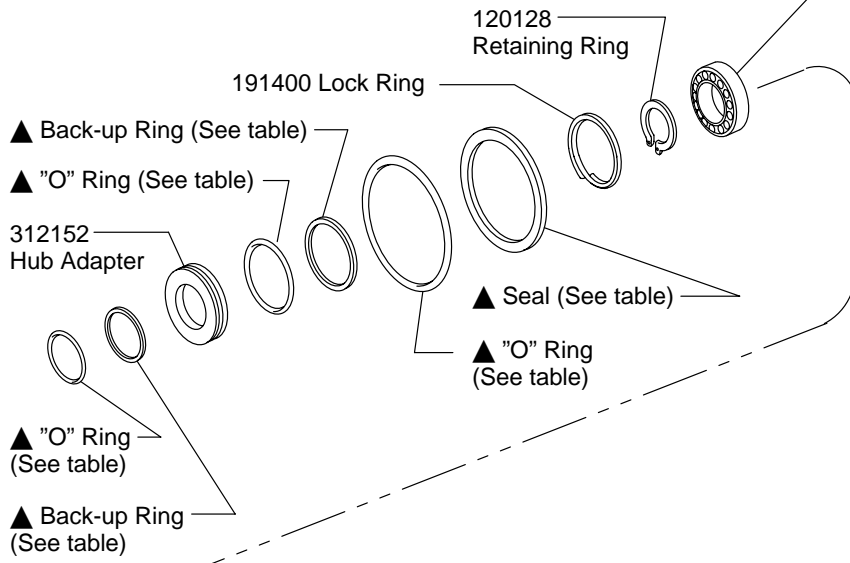
11165 Screw
(4 req'd)
Torque to
 100 ± 5 lb. ft.



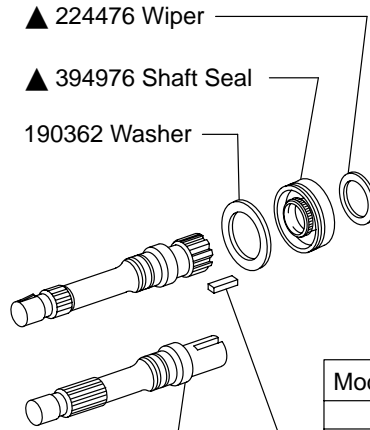
Model Designation	Cartridge Kit	Back-up Ring	"O" Ring	Screw (2req'd) Torque to 2-4 lbf. ft.	Pressure Plate S/A (Including Bushing and Pins)	Rotor	Vane Kit 10 Vanes 30 Springs	Pin (2 req'd)	Ring	Pressure Plate
2*M42*-**20	923160								313426	
2*M55*-**20	923161	▲ 271699	▲ 187000	276618	312145	312155	923158	158465	313427	312143
2*M65*-**20	923162								313428	

These parts are services in Cartridge Kit

Model Designation	Bearing
25M**-**20	1705
26M**-**20	232750

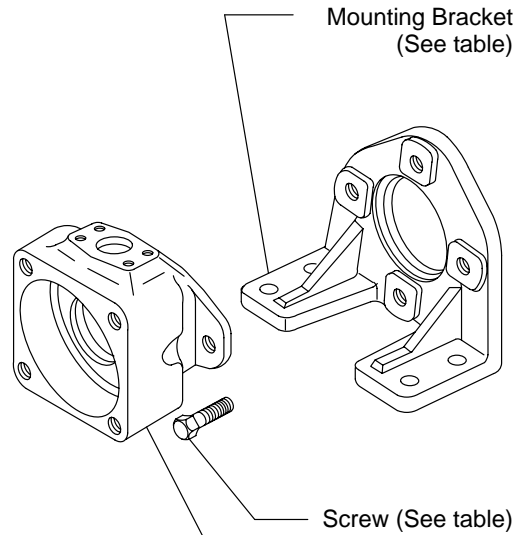


Screw (2 req'd)	Mounting Bracket (Incl. Screws)	Model
199740	FB-B-10	2*M**()-**20
(Viewed from Shaft End)		
2	Body Port @ 12 O'clock Position	
3	Body Port @ 3 O'clock Position	
6	Body Port @ 6 O'clock Position	
9	Body Port @ 9 O'clock Position	



Model Designation	Body
2*M*A-**20	312139
2*M*B-**20	317282

Model Designation	Shaft	Key
2*M**-1*20	312153	9955
2*M**-3*20	431243	
2*M**-11*20	312154	—

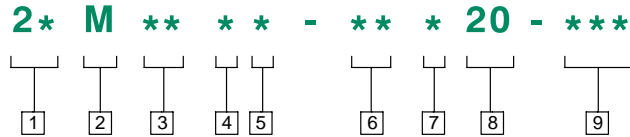


Model Designation	Cartridge Kit	"O" Ring	Back-up Ring	"O" Ring	Back-up Ring	"O" Ring	Seal
2*M42**-**20	923160						
2*M55**-**20	923161	▲187000	▲271699	▲154080	▲271791	▲312388	▲278708
2*M65**-**20	923162						

These parts are serviced in Cartridge Kit

▲ Service all units with F3 Seal Kit 923157

Model Code



1 Model Series

- 25 - Standard bearing
- 26 - Heavy duty bearing

2 Vane Motor

M

3 Ring Capacity Torque

Rating (lbf. in per 100 PSI)

- 25 - 25
- 30 - 30
- 35 - 35
- 42 - 42
- 55 - 55
- 65 - 65

4 Port Connections

- A** - 4 bolt flange
- B** - Str. thread

5 Bracket Mounting

(Viewed from shaft end)

- 2 - Body port @ 12 o'clock
- 3 - Body port @ 3 o'clock
- 6 - Body port @ 6 o'clock
- 9 - Body port @ 9 o'clock

6 Shaft Type

- 1 - Straight keyed
- 3 - Straight threaded
- 11 - Splined

7 Port Locations

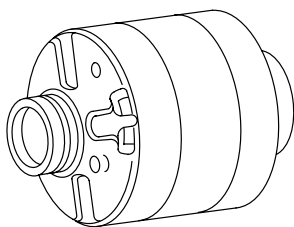
(Viewed from cover end)

- A** - Cover port opposite body port
- B** - Cover port 90° CCW from body port
- C** - Cover port in line with body port
- D** - Cover port 90° CW from body port

8 Design Number

20

9 Special Features



When ordering spare cartridge parts, it is recommended they be obtained in cartridge kits. Kits are assembled and tested before shipment.

For satisfactory service life of these components in industrial applications, use full flow filtration to provide fluid which meets ISO cleanliness code 20/18/15 or cleaner. Selections from Vickers OFF, OFR, and OFRS series are recommended.